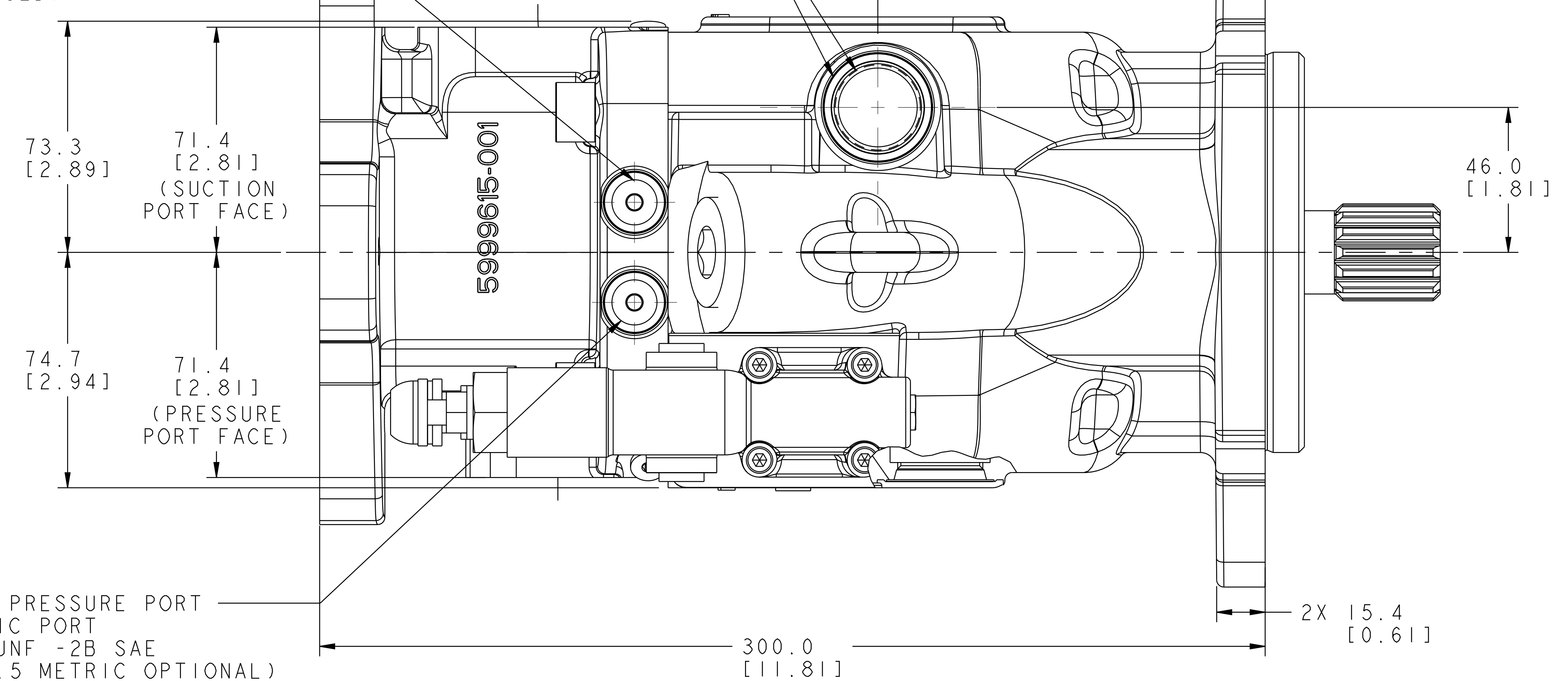


OPTIONAL SUCTION PORT  
DIAGNOSTIC PORT  
7/16-20 UNF -2B SAE  
(M12 X 1.5 METRIC OPTIONAL)  
O-RING PORT  
(SHOWN PLUGGED)

CASE DRAIN TOP  
1.0625-12 UN-2B SAE  
O-RING PORT (M27 X  
2 METRIC O-RING OR  
G 3/4 BSP STRAIGHT  
THD PORT OPTIONAL)

REV	DESCRIPTION	BY	CHK	DATE	ECN / MPS
A	ENGINEERING RELEASE	NWS	BMS	5-28-08	0018094
B	(7C) CASE DRAIN PORT NOTE WAS 7/16-20 UNF-2B SAE	SSC	SDY	2-03-09	0014961
C	(8H)(8F)ADDED OPTIONAL DIAGNOSTIC PORTS	SPV	SSC	02/18/13	M88296



OPTIONAL PRESSURE PORT  
DIAGNOSTIC PORT  
7/16-20 UNF -2B SAE  
(M12 X 1.5 METRIC OPTIONAL)  
O-RING PORT  
(SHOWN PLUGGED)

ATTENTION:  
REMOVAL OF THE PRESSURE ADJUSTMENT SCREW  
COVERS MAY VOID THE WARRANTY ON THIS PUMP

FOR COMPENSATOR CONFIGURATION  
SEE SEPARATE COMPENSATOR  
INSTALLATION DRAWING

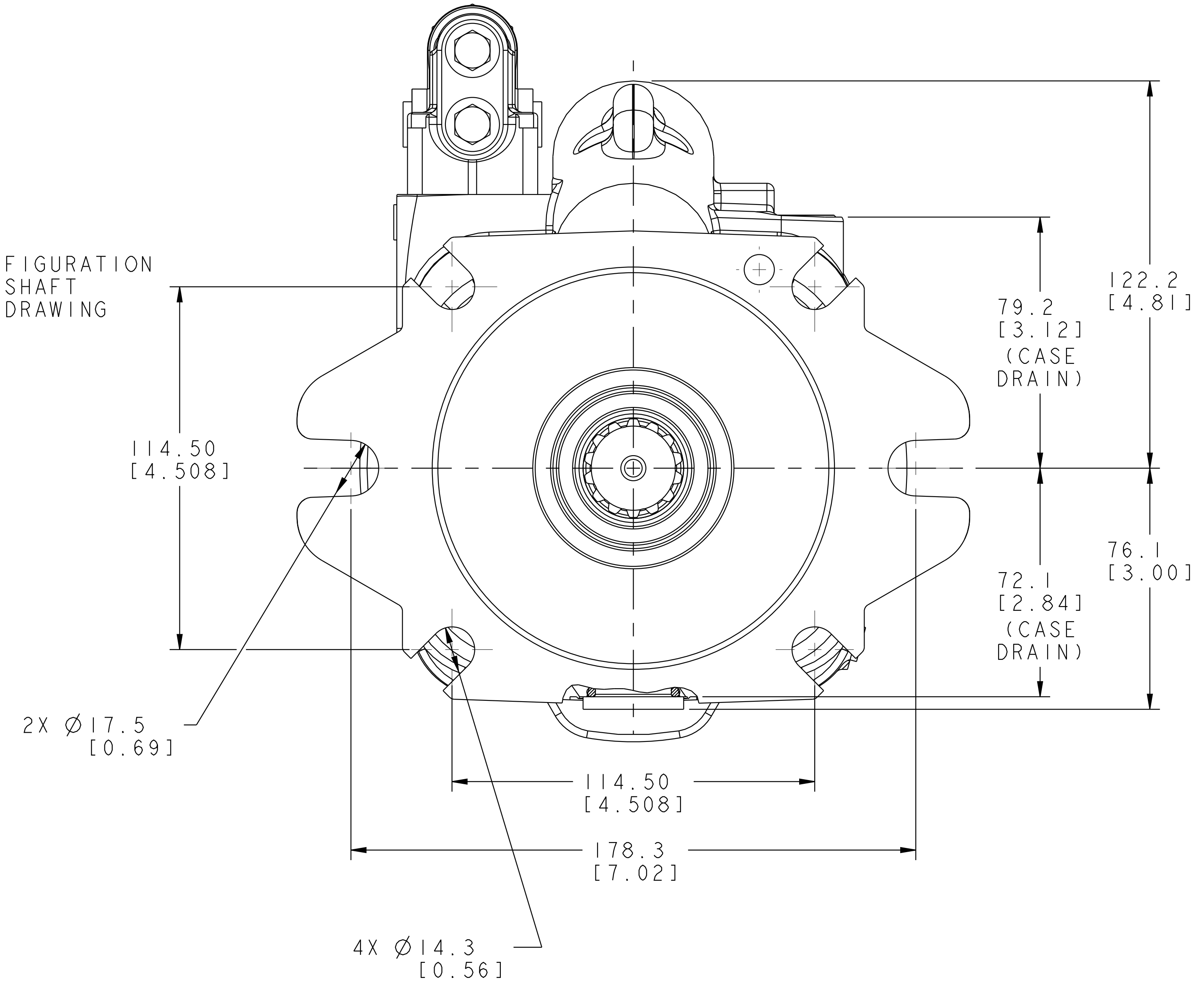
CASE DRAIN LEFT  
1.0625-12 UN-2B SAE  
O-RING PORT (M27 X  
2 METRIC O-RING OR  
G 3/4 BSP STRAIGHT  
THD PORT OPTIONAL)

FOR SHAFT CONFIGURATION  
SEE SEPARATE SHAFT  
INSTALLATION DRAWING

PRESSURE PORT -C  
1.00 SAE 4 BOLT  
SPLIT FLANGE PORT  
STANDARD PREEURE  
SERIES (CODE 61)

4X .375-16 UNC-2B  
(M10 X 1.5-6H OPTIONAL)  
14  
[.57] MIN

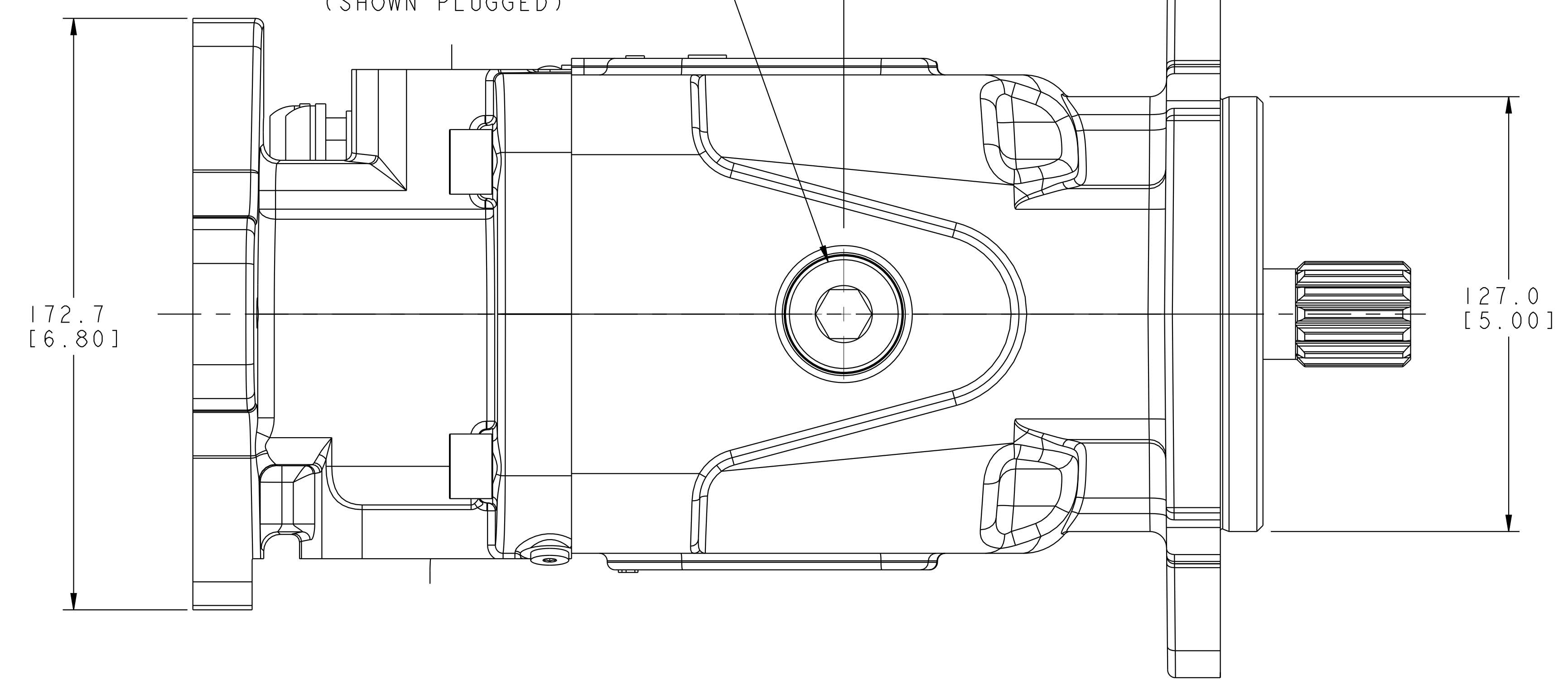
CASE DRAIN BOTTOM  
1.0625-12 UN-2B SAE  
O-RING PORT (M27 X  
2 METRIC O-RING OR  
G 3/4 BSP STRAIGHT  
THD PORT OPTIONAL)  
(SHOWN PLUGGED)



NOTE

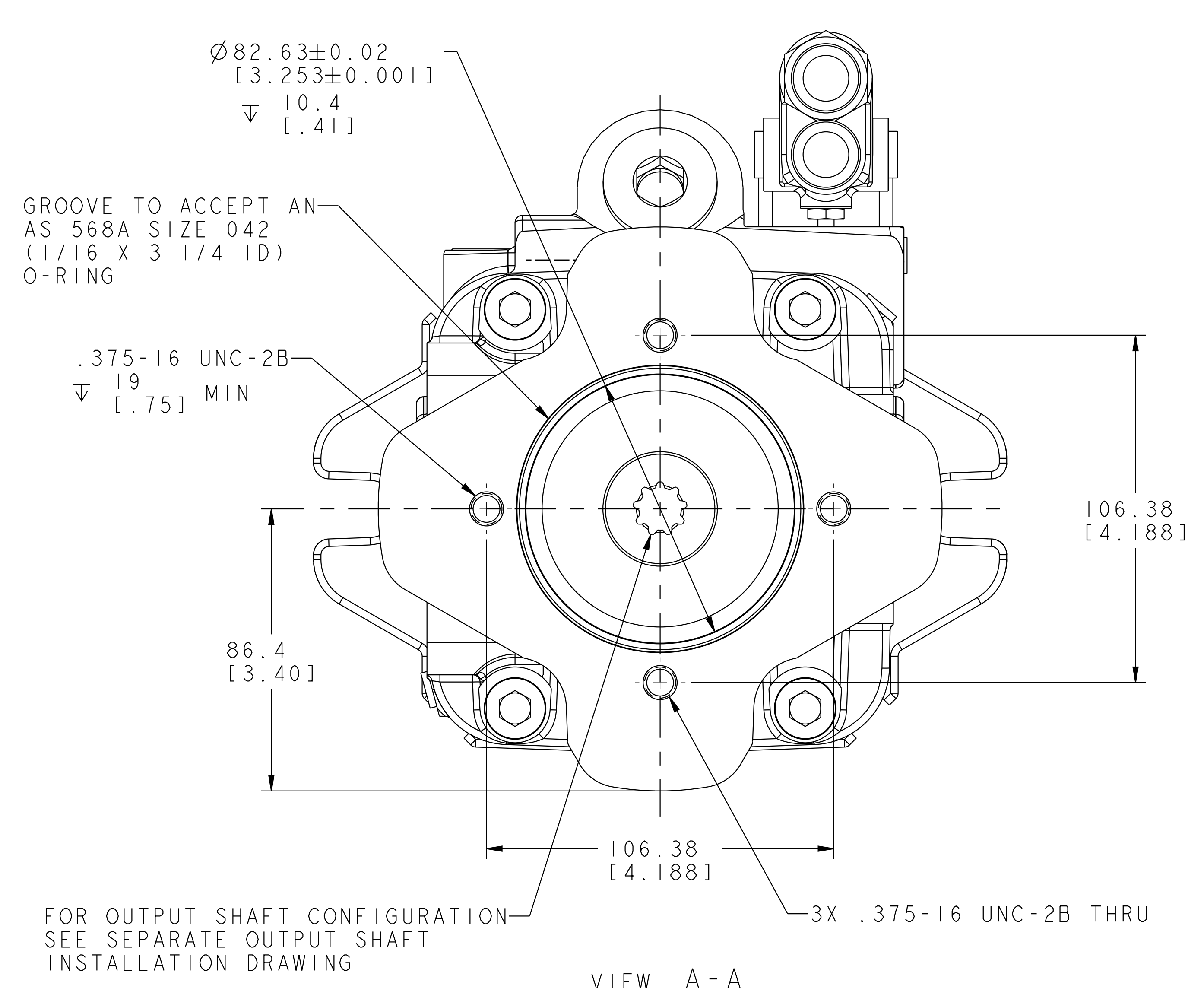
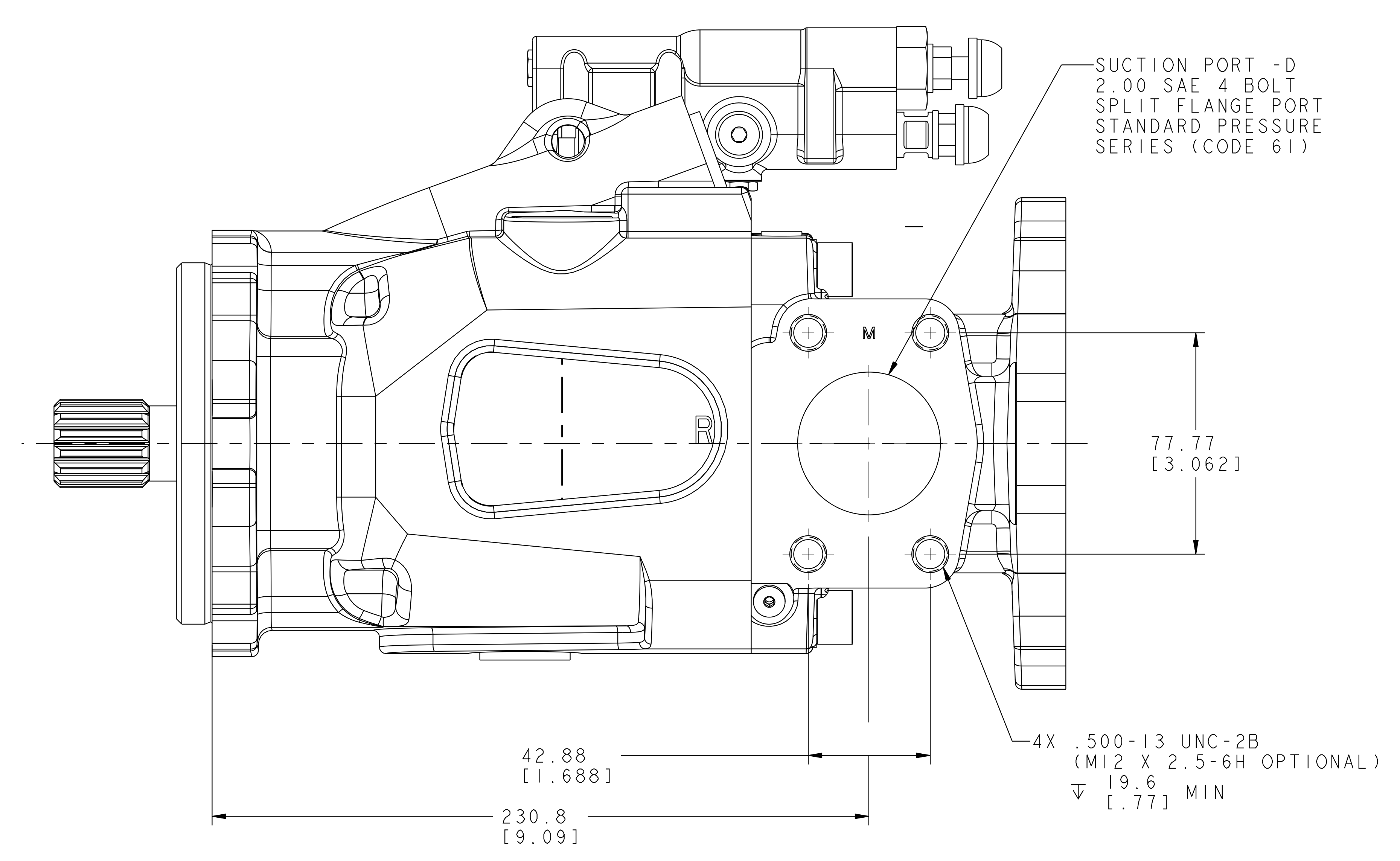
1 UNIT MUST BE INSTALLED IN SUCH A POSITION THAT  
THE CASE DRAIN ASSURES AN OIL LEVEL AT OR ABOVE  
UNIT CENTERLINE BEFORE STARTING

REVIEWED FOR CLASSIFICATION PER ESP-042



UNLESS OTHERWISE SPECIFIED ALL DIMENSIONS ARE IN INCHES <input type="checkbox"/> MILLIMETERS <input checked="" type="checkbox"/>		DRAWING BASED ON ANSI Y14.5M-1982	
EATON CORPORATION - CONFIDENTIAL AND PROPRIETARY		EATON CORPORATION - CONFIDENTIAL AND PROPRIETARY	
NOTICE TO PERSONS RECEIVING THIS DRAWING		NOTICE TO PERSONS RECEIVING THIS DRAWING	
THIS DOCUMENT, INCLUDING THE DRAWING AND INFORMATION CONTAINED THEREON, IS CONFIDENTIAL AND IS THE EXCLUSIVE PROPERTY OF EATON CORPORATION, AND IS HEREBY LOANED AND SUBJECT TO RECALL BY EATON AT ANY TIME. BY TAKING POSSESSION OF THIS DOCUMENT, THE RECIPIENT KNOWLEDGES AND AGREES THAT THIS DOCUMENT CANNOT BE USED IN ANY MANNER ADVERSE TO THE INTERESTS OF EATON, AND THAT NO PORTION OF THIS DOCUMENT MAY BE COPIED OR OTHERWISE REPRODUCED WITHOUT THE PRIOR WRITTEN CONSENT OF EATON. IN THE CASE OF CONFLICTING CONTRACTUAL PROVISIONS, THIS NOTICE SHALL GOVERN THE STATUS OF THIS DOCUMENT. COPYRIGHT 2008 EATON CORPORATION - ALL RIGHTS RESERVED.		Eaton Hydraulics Inc. 14615 Lone Oak Road Eden Prairie, MN 55344 USA	
TOLERANCES .x ± .005 .xx ± REF .xxx ± ONLY < ± .001		MATERIAL/HEAT TREAT	
UNSPECIFIED RADII ARE: ----		TITLE	
UNSPECIFIED DRAFT ANGLES ARE: ----		SERIES 420 C MOUNT PUMP INSTALL	
E SIZE		NUMBER A-3231-007	
THIRD ANGLE PROJECTION DO NOT SCALE		SCALE 1/1 SHEET 1 OF 2	

REV	DESCRIPTION	BY	CHK	DATE	ECN / MPS
C	SEE SHEET 1 FOR REVISIONS				



REVIEWED FOR CLASSIFICATION PER ESP-042

UNLESS OTHERWISE SPECIFIED ALL DIMENSIONS ARE IN INCHES <input type="checkbox"/> MILLIMETERS <input checked="" type="checkbox"/>	DRAWING BASED ON ANSI Y14.5M-1982	
	EATON CORPORATION - CONFIDENTIAL AND PROPRIETARY NOTICE TO PERSONS RECEIVING THIS DRAWING AND/OR TECHNICAL INFORMATION THIS DOCUMENT, INCLUDING THE DRAWING AND INFORMATION CONTAINED THEREON, IS CONFIDENTIAL AND IS THE EXCLUSIVE PROPERTY OF EATON CORPORATION, AND IS LOANED TO YOU AND SUBJECT TO RECALL BY EATON AT ANY TIME. BY TAKING POSSESSION OF THIS DOCUMENT, YOU ACKNOWLEDGE AND AGREE THAT THIS DOCUMENT CANNOT BE USED IN ANY MANNER ADVERSE TO THE INTERESTS OF EATON, AND THAT NO PORTION OF THIS DOCUMENT MAY BE COPIED OR OTHERWISE REPRODUCED WITHOUT THE WRITTEN CONSENT OF EATON. IN THE CASE OF CONFLICTING CONTRACTUAL PROVISIONS, THIS NOTICE SHALL GOVERN THE STATUS OF THIS DOCUMENT. COPYRIGHT 2008 EATON CORPORATION - ALL RIGHTS RESERVED.	
<b>TOLERANCES</b> .x ± --- .xx ± REF .xxx ± ONLY < ± ---	DRAWN NWS BY/DATE 1-25-08 CHECKED BMS BY/DATE 1-25-08 ENGRG DJJ BY/DATE 1-25-08 METALLURGY BY/DATE ---	MATERIAL/HEAT TREAT TITLE SERIES 420 C MOUNT PUMP INSTALL
UNSPECIFIED RADII ARE: --- UNSPECIFIED DRAFT ANGLES ARE: ---° E SIZE	THIRD ANGLE PROJECTION DO NOT SCALE	NUMBER A-3231-007 SCALE 1/1 SHEET 2 OF 2