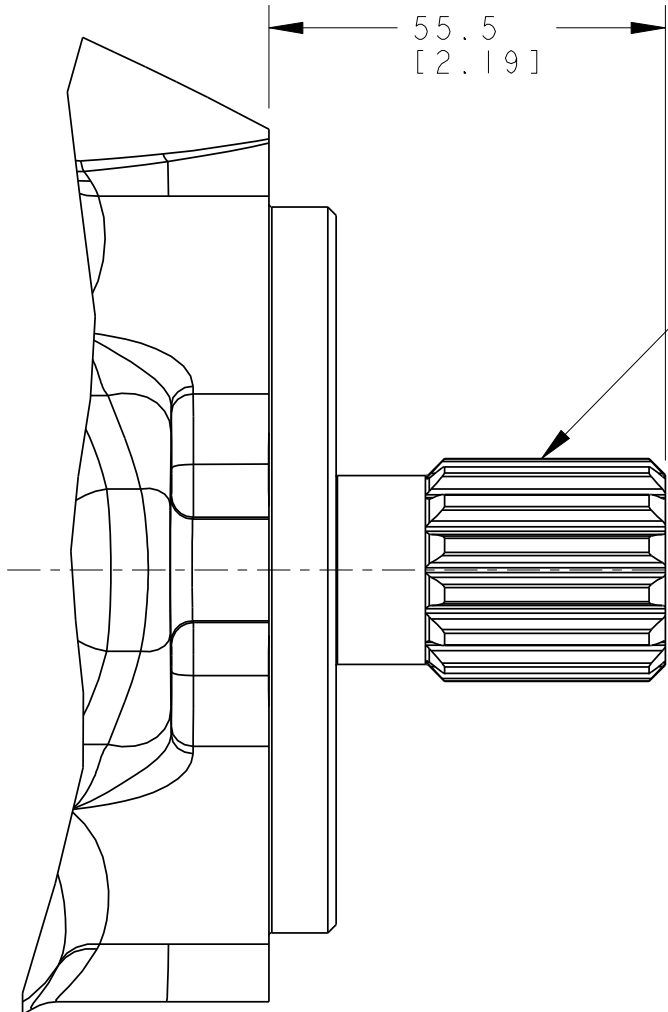


REV	DESCRIPTION	BY	CHK	DATE	ECN / MPS
A	ENGINEERING RELEASE	NWS	BMS	5-28-08	0018094



Ø31.224 [1.2293] 14 TOOTH 30°
 FLAT ROOT SIDE FIT 12/24 CLASS 5
 SPLINE PER ANSI B92.1 (MODIFIED)

 FITS 14 TOOTH FLAT ROOT SIDE FIT
 12/24 INTERNAL SPLINES PER SAE
 J498b CLASS 1 OR ANSI B92.1
 CLASS 5



REVIEWED FOR CLASSIFICATION PER ESP-042

-
DISTRIBUTION CODE(S)

UNLESS OTHERWISE SPECIFIED ALL DIMENSIONS ARE IN		DRAWING BASED ON ANSI Y14.5M-1982	
INCHES <input type="checkbox"/> MILLIMETERS (INCHES) <input checked="" type="checkbox"/>		NOTICE TO PERSONS RECEIVING THIS DRAWING AND / OR TECHNICAL INFORMATION	
TOLERANCES .X ± 0.1 .XX ± REF .XXX ± ONLY < ± 0.5° UNSPECIFIED RADII ARE: ---- UNSPECIFIED DRAFT ANGLES ARE: ---- B SIZE		Eaton Corporation claims proprietary rights in the information disclosed hereon. This document is issued in confidence and is not to be reproduced or used to manufacture anything shown hereon without the written permission of the Eaton Corporation. EATON Eaton Hydraulics, Inc. 14615 Lone Oak Road Eden Prairie, Mn. 55344	
BY/DATE 10-20-04 CHECKED JMM BY/DATE 10-21-04 ENGRG RNA BY/DATE 11-3-04 METALLURGY ---- BY/DATE		MATERIAL/HEAT TREAT \ \ TITLE 420 PUMP INPUT SHAFT INSTALL	
THIRD ANGLE PROJECTION DO NOT SCALE		MICROINCHES <input type="checkbox"/> MICROMETERS (MICROINCHES) <input checked="" type="checkbox"/> ARITHMETICAL AVERAGE <input checked="" type="checkbox"/>	NUMBER A-3234-009 SCALE 1/1 SHEET 1 OF 1