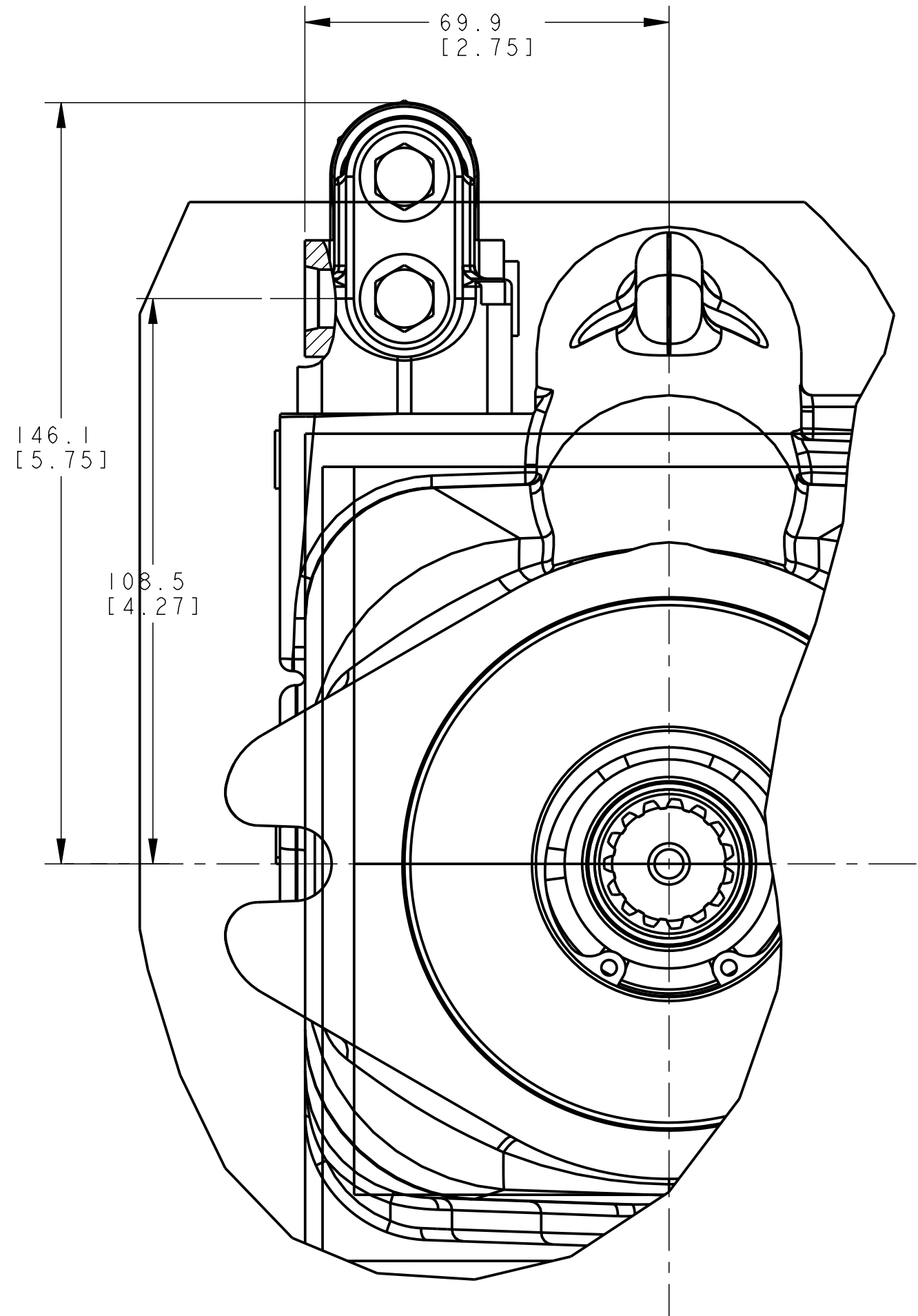
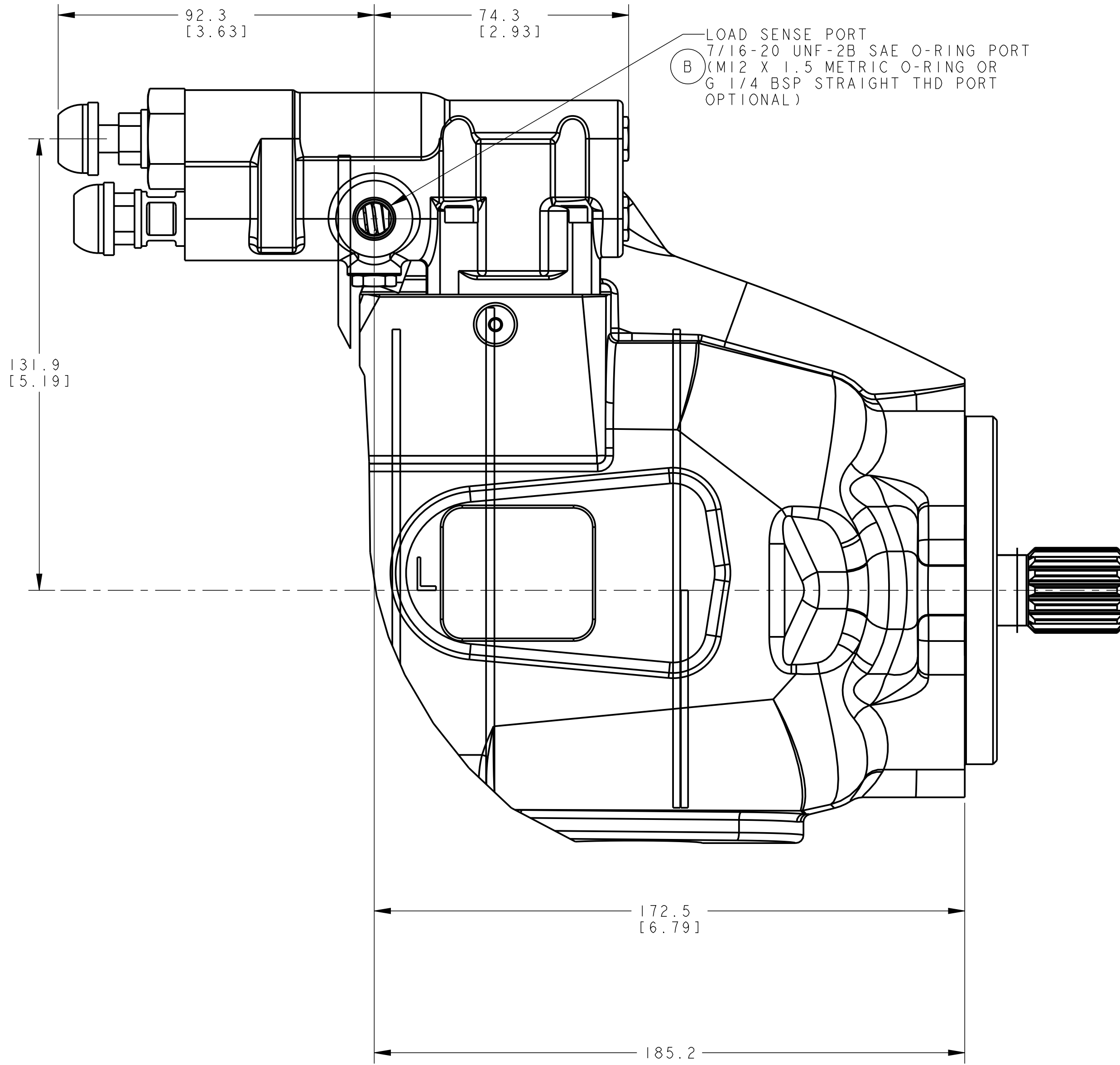


REV	DESCRIPTION	BY	CHK	DATE	ECN / MPS
A	RELEASE FOR SAMPLES AND ESTIMATES	NWS	BMS	05-28-08	0018094
B	(3D) NOTE WAS M14X1.5 METRIC O-RING	DBD	SDY	04-07-09	0016383
C	(3A) DIM 7.29 WAS 6.95	SBG	PK	06-22-17	MI04623



(WITH DOUBLE SHAFT SEAL OR 2/4 BOLT C)

CS REVIEWED FOR CLASSIFICATION PER ESP-042

UNLESS OTHERWISE SPECIFIED ALL DIMENSIONS ARE IN INCHES <input checked="" type="checkbox"/> MILLIMETERS <input type="checkbox"/> TOLERANCES .X ± ---- .XX ± REF .XXX ± ONLY < ± ----° UNSPECIFIED RADII ARE: ---- UNSPECIFIED DRAFT ANGLES ARE: ----° C SIZE	DRAWING BASED ON ASME Y14.5-2009 EATON CORPORATION - CONFIDENTIAL AND PROPRIETARY NOTICE TO PERSONS RECEIVING THIS DRAWING AND / OR TECHNICAL INFORMATION <small>THIS DOCUMENT, INCLUDING THE DRAWING AND INFORMATION CONTAINED THEREON, IS CONFIDENTIAL AND IS THE EXCLUSIVE PROPERTY OF EATON CORPORATION, AND IS MERELY ON LOAN AND SUBJECT TO RECALL BY EATON AT ANY TIME. BY TAKING POSSESSION OF THIS DOCUMENT, THE RECIPIENT ACKNOWLEDGES AND AGREES THAT THIS DOCUMENT CANNOT BE USED IN ANY MANNER ADVERSE TO THE INTERESTS OF EATON, AND THAT NO PORTION OF THIS DOCUMENT MAY BE COPIED OR OTHERWISE REPRODUCED WITHOUT THE PRIOR WRITTEN CONSENT OF EATON. IN THE CASE OF CONFLICTING CONTRACTUAL PROVISIONS, THIS NOTICE SHALL GOVERN THE STATUS OF THIS DOCUMENT. COPYRIGHT 2008 EATON CORPORATION - ALL RIGHTS RESERVED.</small>		EATON <small>Powering Business Worldwide Eaton Hydraulics LLC 14615 Lone Oak Road Eden Prairie, MN 55344 USA</small>	
	DRAWN NWS BY/DATE 1-31-08 CHECKED BMS BY/DATE 1-31-08 ENGRG DJZ BY/DATE 1-31-08 METALLURGY BY/DATE	MATERIAL/HEAT TREAT ---- TITLE 420 PUMP COMPENSATOR INSTALLATION		
	THIRD ANGLE PROJECTION DO NOT SCALE	MICROINCHES <input checked="" type="checkbox"/> MICROMETERS <input type="checkbox"/> ARITHMETICAL AVERAGE <input checked="" type="checkbox"/>		NUMBER A-3235-001 SCALE 1/1 SHEET 1 OF 1