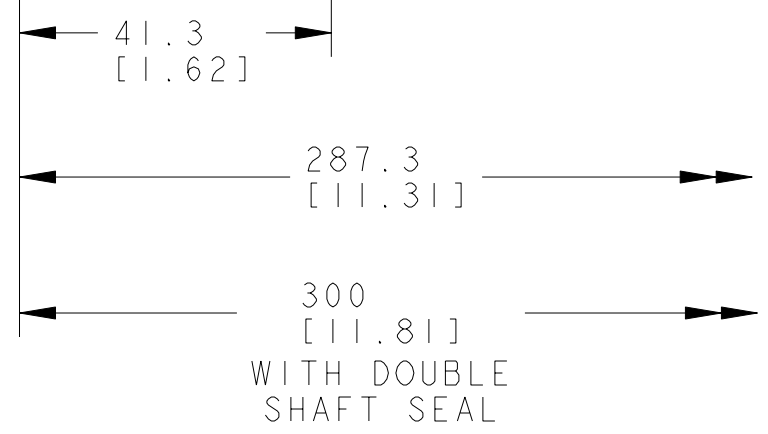
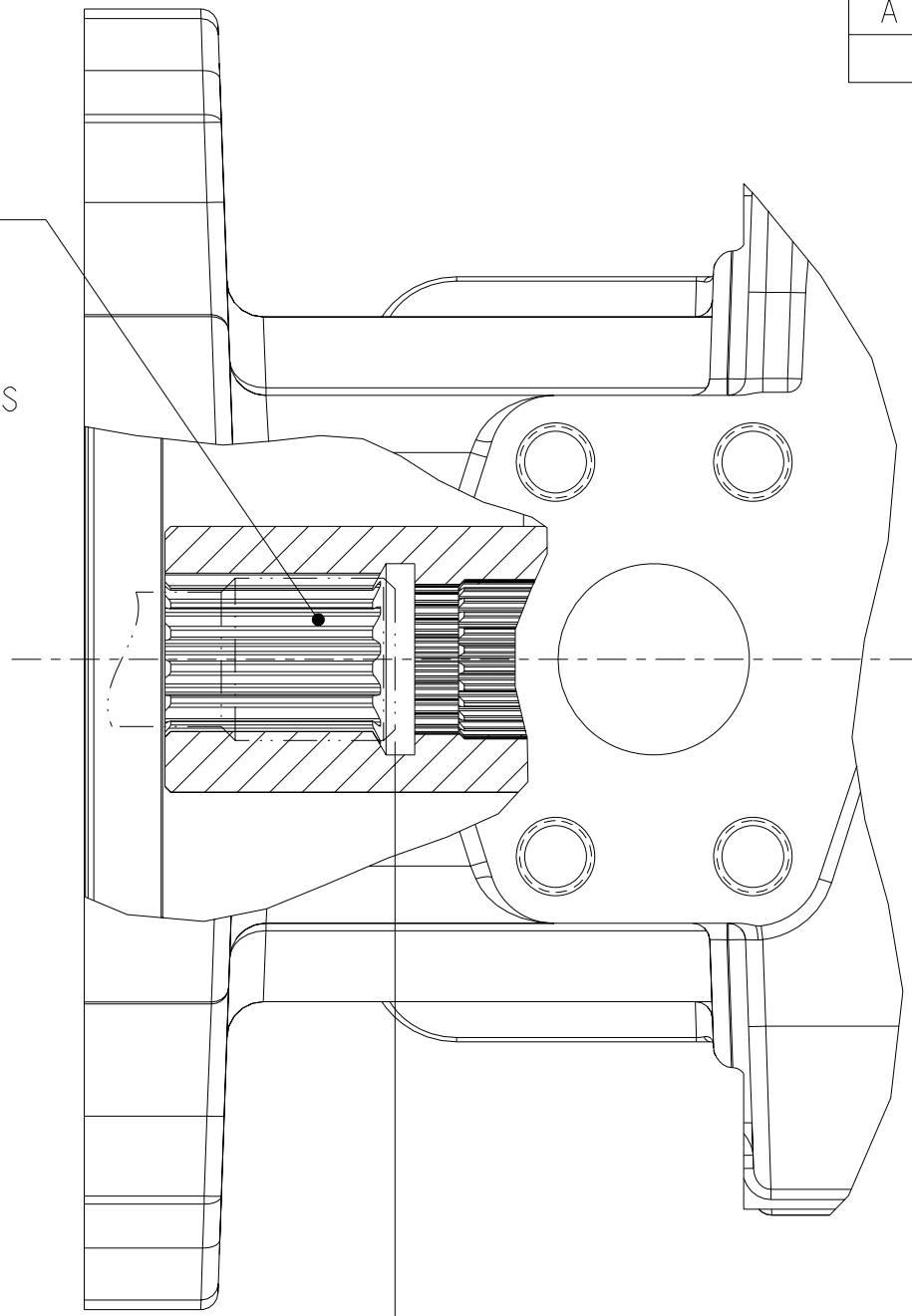


REV	DESCRIPTION	BY	CHK	DATE	ECN / MPS
A	ENGINEERING RELEASE	JMM	JMM	10-21-04	M63084

Ø22.5 [.886] 13 TOOTH 30° FLAT ROOT SIDE FIT 16/32 INTERNAL SPLINE PER ANSI B92.1-1976

ACCEPTS 13 TOOTH 30° FLAT ROOT SIDE FIT 16/32 EXTERNAL SPLINES PER SAE J498b CLASS 1 OR ANSI B92.1 CLASS 5 WITH 41.3 [1.62] EXTENSION FROM MOUNTING FLANGE



REVIEWED FOR CLASSIFICATION PER ESP-042

-
DISTRIBUTION CODE(S)

UNLESS OTHERWISE SPECIFIED ALL DIMENSIONS ARE IN INCHES <input type="checkbox"/> MILLIMETERS (INCHES) <input checked="" type="checkbox"/>	DRAWING BASED ON ANSI Y14.5M-1982	
	THE REPRODUCTION, DISTRIBUTION, AND UTILIZATION OF THIS DOCUMENT, AS WELL AS THE COMMUNICATION OF ITS CONTENTS TO OTHERS WITHOUT EXPLICIT AUTHORIZATION IS PROHIBITED. OFFENDERS WILL BE HELD LIABLE FOR THE PAYMENT OF DAMAGES. ALL RIGHTS RESERVED IN THE EVENT OF THE GRANT OF A PATENT, UTILITY MODEL, OR DESIGN. (PER ISO 16016)	
TOLERANCES .X ± 0.1 .XX ± REF .XXX ± ONLY < ± 0.5° UNSPECIFIED RADII ARE: ----	DRAWN JMM BY/DATE 10-25-04 CHECKED JMM BY/DATE 10-25-04 ENGRG RNA BY/DATE 11-3-04 METALLURGY ---- BY/DATE	MATERIAL/HEAT TREAT  TITLE OUTPUT SHAFT INSTALLATION
UNSPECIFIED DRAFT ANGLES ARE: ---- B SIZE	 THIRD ANGLE PROJECTION DO NOT SCALE	NUMBER A-2254-005 SCALE 1/1 SHEET 1 OF 1
	MICROINCHES <input type="checkbox"/> MICROMETERS (MICROINCHES) <input checked="" type="checkbox"/> ARITHMETICAL AVERAGE <input checked="" type="checkbox"/>	

