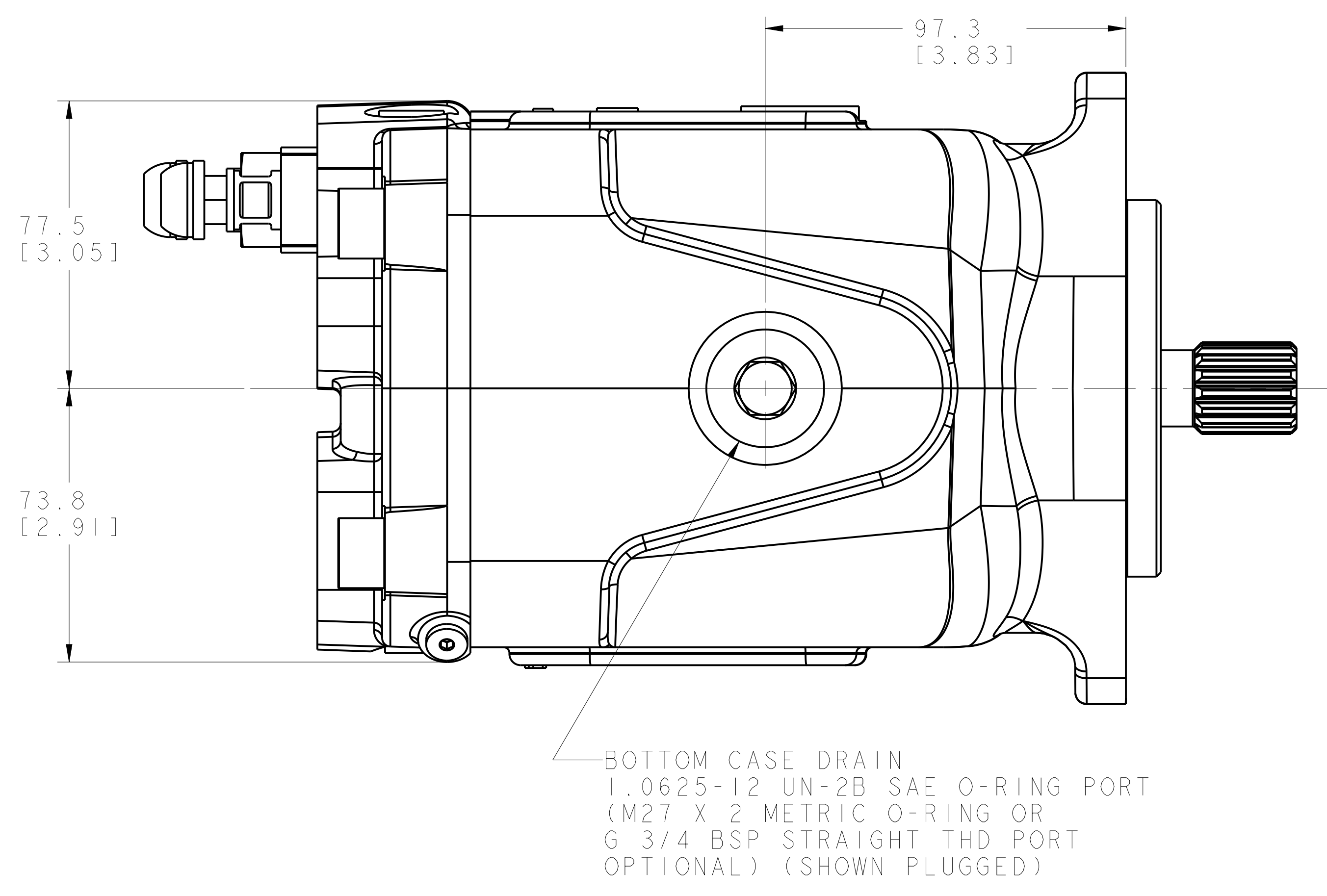
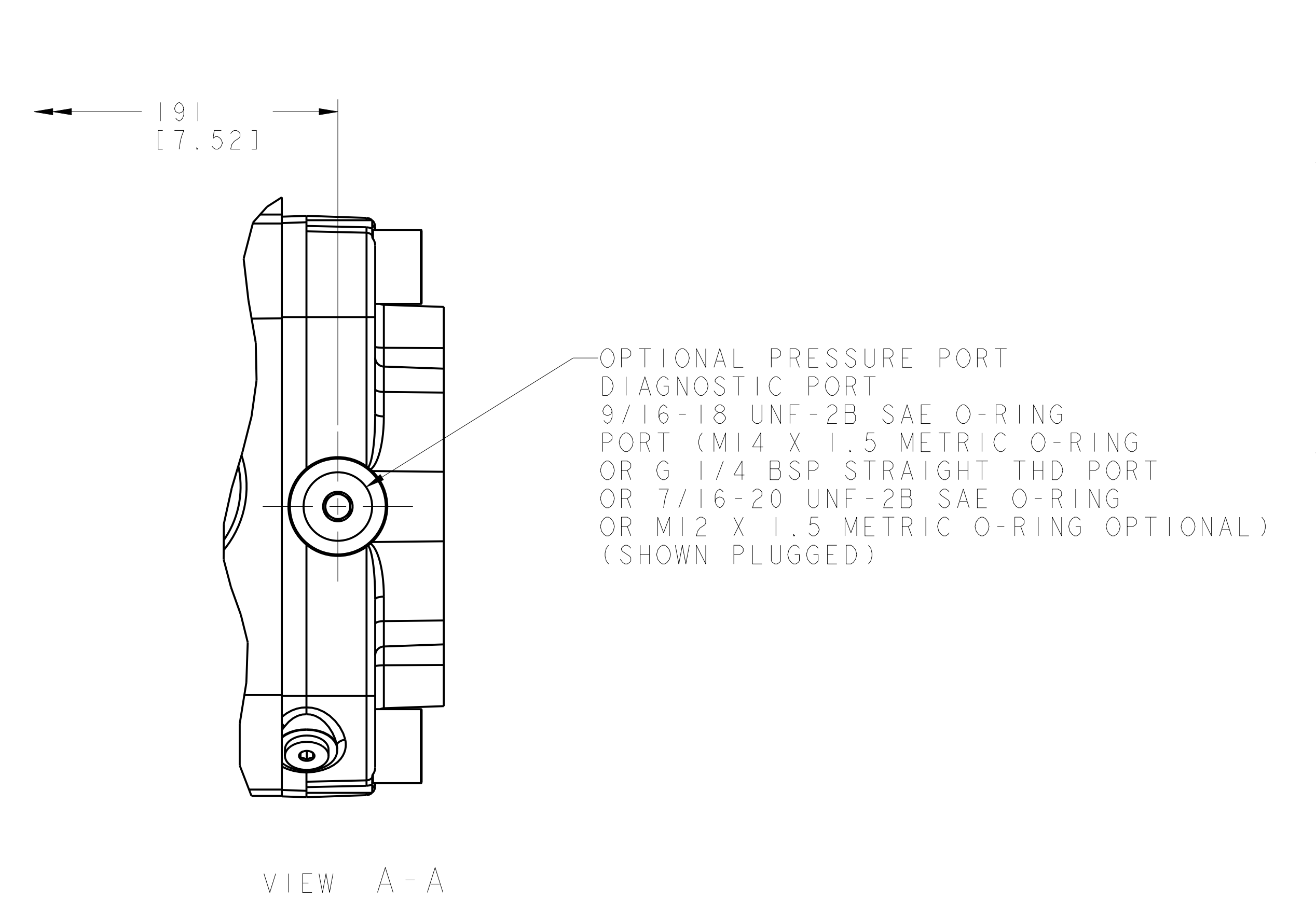
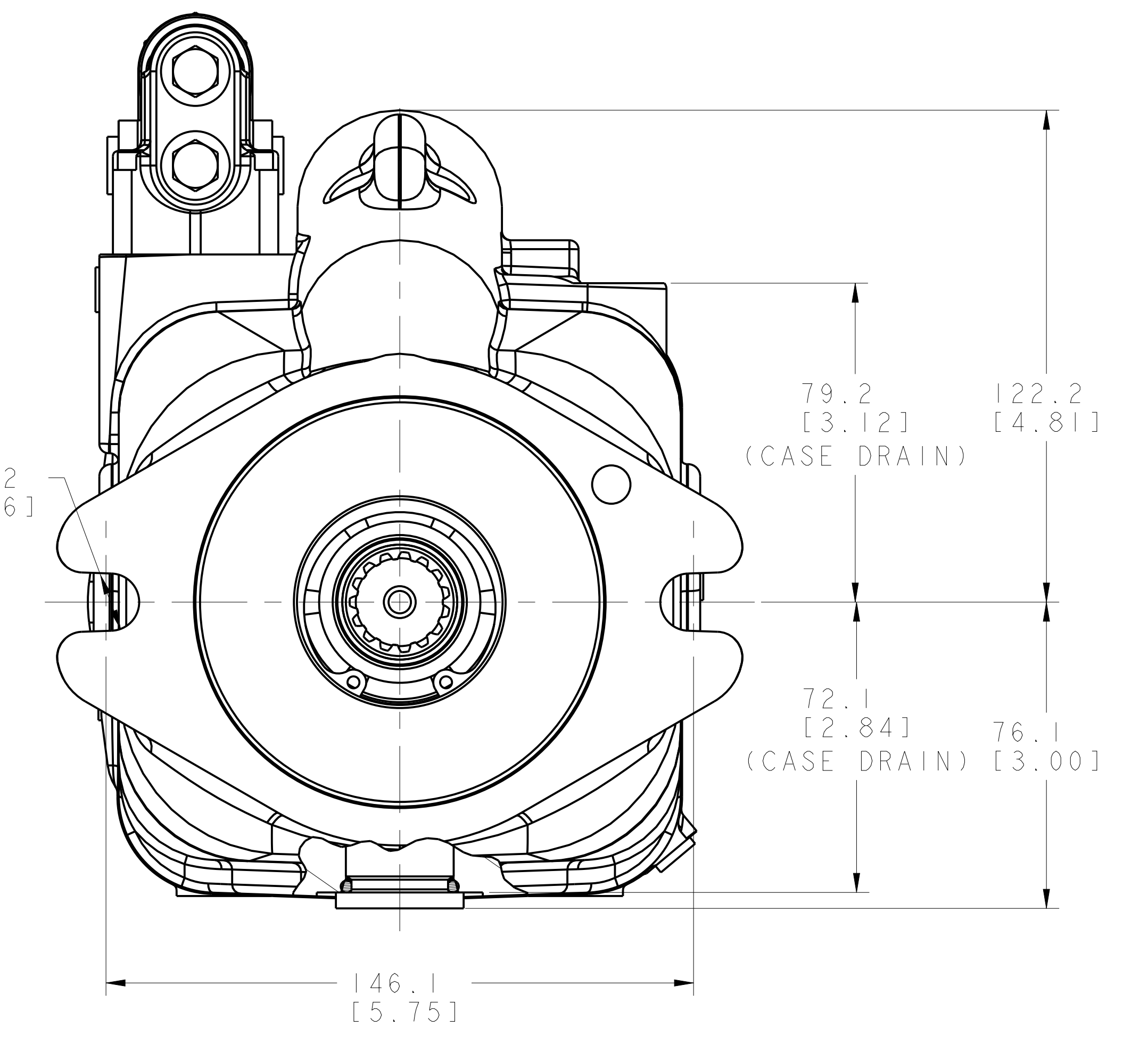
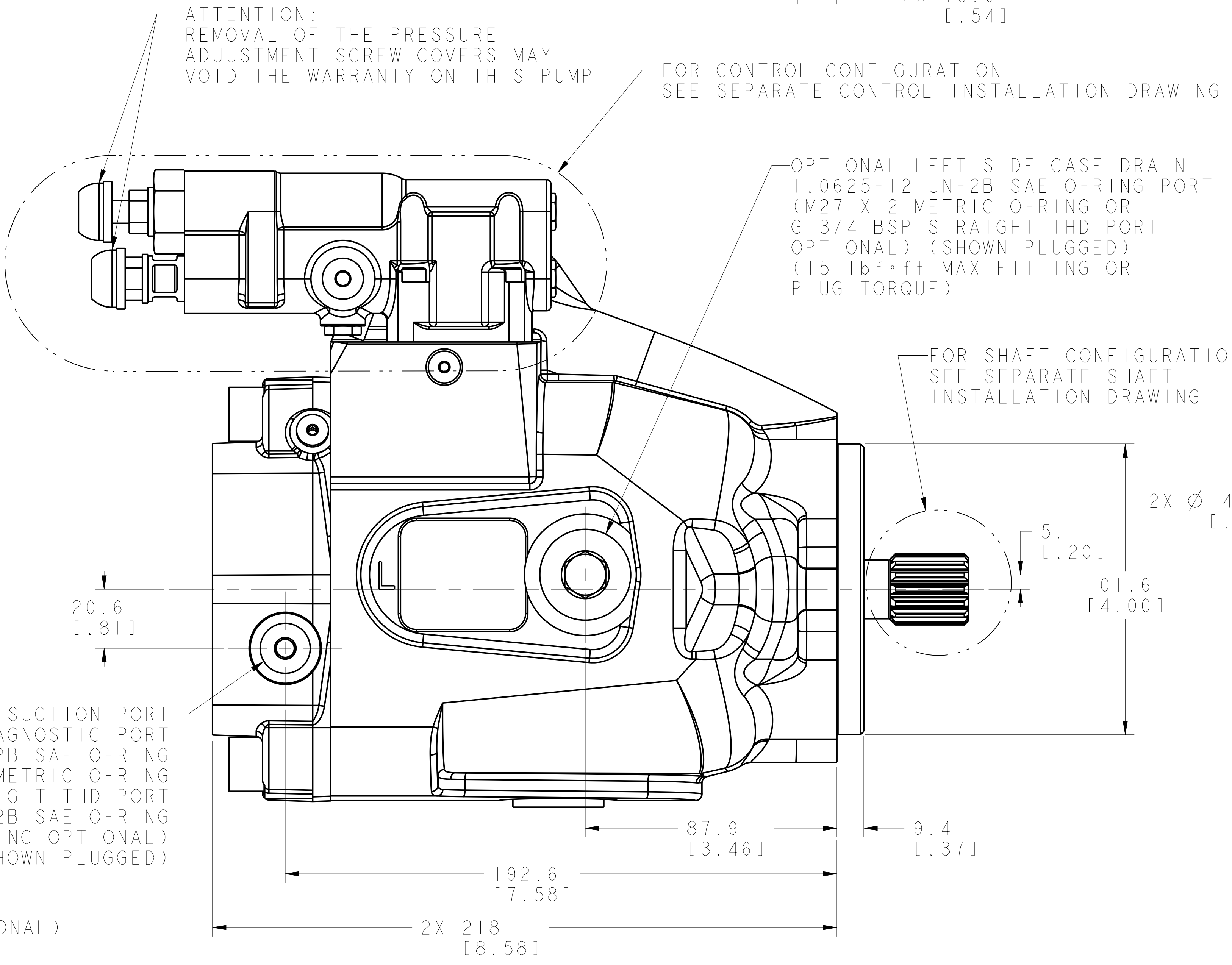
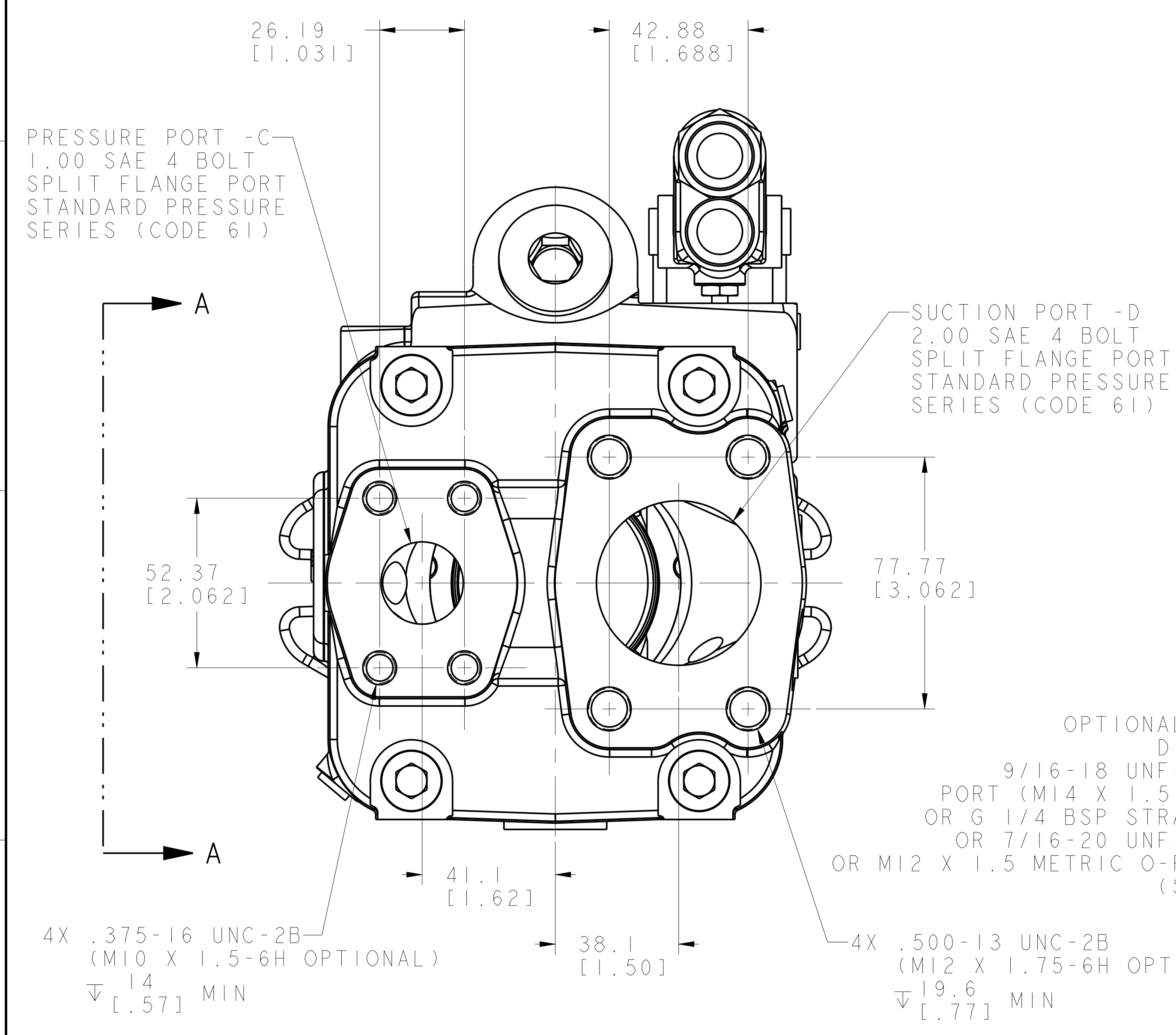
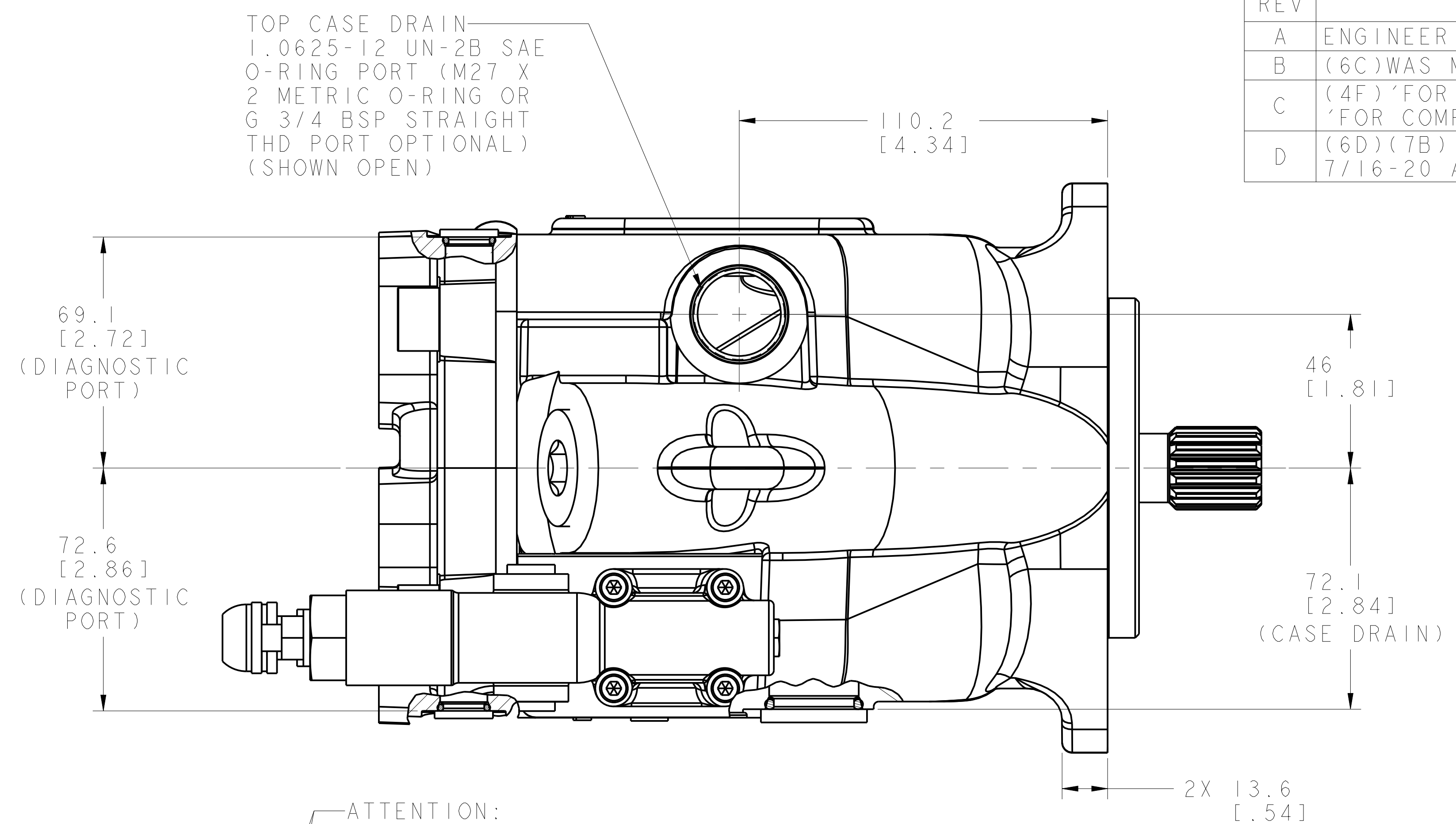


REV	DESCRIPTION	BY	CHK	DATE	ECN / MPS
A	ENGINEERING RELEASE	NWS	BMS	05-28-08	0018094
B	(6C) WAS M12 X 2.5-6H	MKS	MKS	4/10/09	0016471
C	(4F) 'FOR CONTROL CONF... INSTALLATION DRAWING' WAS 'FOR COMPENSATOR CONF... INSTALLATION DRAWING'	ADP	SPV	11/20/13	M91098
D	(6D)(7B) ADDED OPTIONAL DIAGNOSTIC PORT OPTIONS 7/16-20 AND M12 X 1.5 METRIC	MMG	SDM	01/21/16	M99361



NOTE  
1 PUMP MUST BE INSTALLED IN SUCH A POSITION THAT THE CASE DRAIN ASSURES AN OIL LEVEL AT OR ABOVE PUMP CENTER LINE BEFORE STARTING

REVIEWED FOR CLASSIFICATION PER ESP-042

UNLESS OTHERWISE SPECIFIED ALL DIMENSIONS ARE IN INCHES  MILLIMETERS

TOLERANCES  
.x ± .005  
.xx ± REF  
.xxx ± ONLY  
< ± .005  
UNSPECIFIED RADII ARE:  
----  
UNSPECIFIED DRAFT ANGLES ARE:  
----°  
E SIZE

DRAWING BASED ON ASME Y14.5-2009  
EATON CORPORATION - CONFIDENTIAL AND PROPRIETARY  
NOTICE TO PERSONS RECEIVING THIS DRAWING  
THIS DOCUMENT, INCLUDING THE DRAWING AND INFORMATION CONTAINED THEREON, IS CONFIDENTIAL AND IS THE EXCLUSIVE PROPERTY OF EATON CORPORATION, AND IS HEREBY LOANED AND SUBJECT TO RECALL BY EATON AT ANY TIME BY TAKING POSSESSION OF THIS DOCUMENT. THE RECIPIENT KNOWS AND AGREES THAT THIS DOCUMENT CANNOT BE USED IN ANY MANNER ADVERSE TO THE INTERESTS OF EATON, AND THAT NO PORTION OF THIS DOCUMENT MAY BE COPIED OR OTHERWISE REPRODUCED WITHOUT THE PRIOR WRITTEN CONSENT OF EATON. IN THE CASE OF CONFLICTING CONTRACTUAL PROVISIONS, THIS NOTICE SHALL GOVERN THE STATUS OF THIS DOCUMENT.  
COPYRIGHT 2008 EATON CORPORATION. ALL RIGHTS RESERVED.

Engineering Business Unit  
Eaton Hydraulics Inc.  
14615 Lone Oak Road  
Eaton Prairie, MN 55344  
USA

DRAWN NWS  
BY/DATE 12-20-07  
CHECKED BMS  
BY/DATE 12-20-07  
ENGRG DJZ  
BY/DATE 12-20-07  
METALLURGY ----  
BY/DATE ----

MATERIAL/HEAT TREAT

TITLE  
SERIES 420 PUMP INSTALLATION

NUMBER  
A-3215-001

SCALE 1/1  
SHEET 1 OF 1