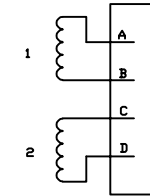
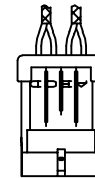
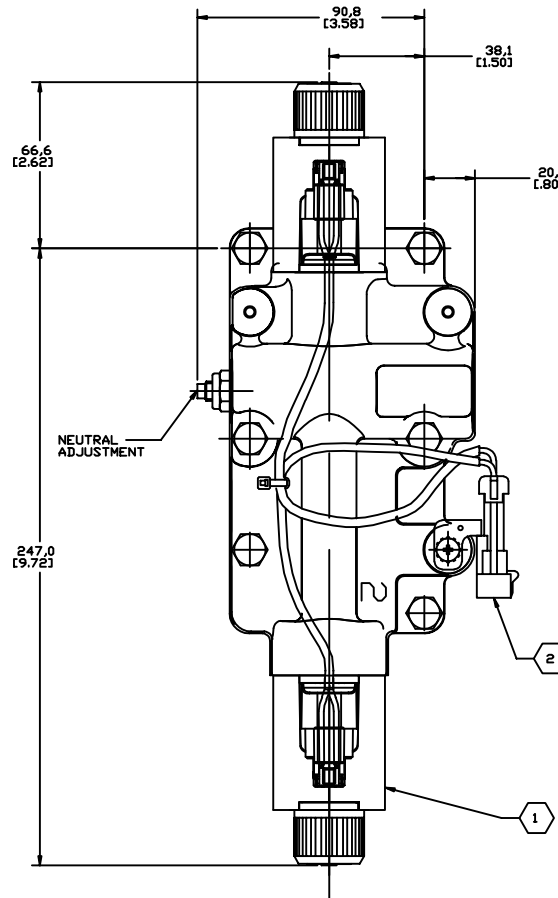
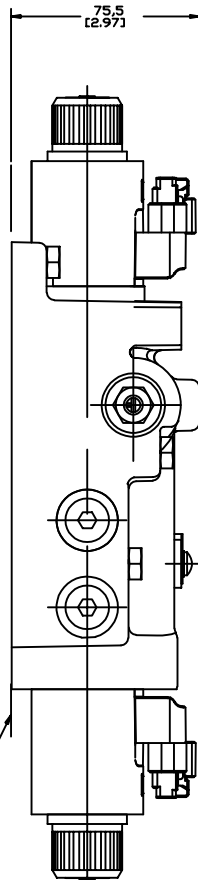


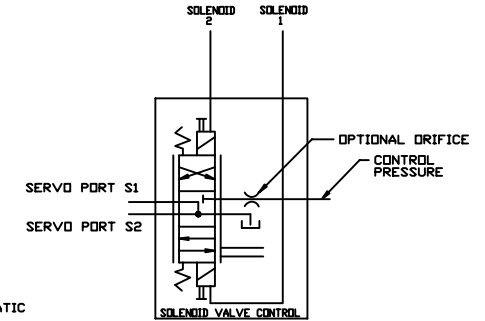
4-PIN COIL CONNECTOR

PIN	COLOR	SIGNAL
A	YELLOW	COIL 1 PWM
B	WHITE	COIL 1 RETURN
C	ORANGE	COIL 2 PWM
D	BLACK	COIL 2 RETURN

REV	DESCRIPTION	BY	CHK	DATE	ECN
A	ENGINEERING RELEASE	JED	RL	3-24-98	M19376
B	REVISED PICTORIALLY	MLL	JED	12-16-98	31895
C	(2B)NOTE 2 CONNECTOR P/N WAS 1204 7950	JED	JED	5-19-01	38012
D	REVISED	TAH	SSP	09-01-15	0058639

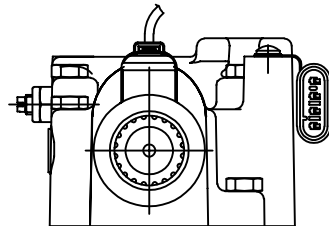


SOLENOID VALVE SCHEMATIC



NOTE

- 1 AMBIENT OPERATING TEMPERATURE RANGE -65°F TO +140°F, 28 WATTS MAXIMUM
- 12 VDC COIL
5.25 OHMS±10% RESISTANCE AT 25°C
1.5 AMPS TO OBTAIN FULL PUMP DISPLACEMENT
4 AMPS NOMINAL TO OBTAIN NEUTRAL
8.6 mH NOMINAL INDUCTANCE
1.5 AMPS MAXIMUM CONTINUOUS CURRENT
- 24 VDC COIL
20.80 OHMS±10% RESISTANCE AT 25°C
7.5 AMPS TO OBTAIN FULL PUMP DISPLACEMENT
2 AMPS NOMINAL TO OBTAIN NEUTRAL
33.9 mH NOMINAL INDUCTANCE
7.5 AMPS MAXIMUM CONTINUOUS CURRENT
- 2 MATING 4 WAY CONNECTOR PACKARD ELECTRIC
P/N 1218 6568 CONNECTOR (1)
P/N 1204 8074 PIN TERMINAL (4)
P/N 1204 8086 CABLE SEAL (4)
P/N 1204 7948 TPA (1)
- 3 COILS HAVE NO INTERNAL DIODES. A-B POLARITY AND C-D POLARITY DOES NOT AFFECT OPERATION
- 4 MODULATION FREQUENCY RANGE FOR OPTIMAL PERFORMANCE IS 75-200 Hz



INPUT SHAFT ROTATION	CW	CCW
SOLENOID ENERGIZED	1 2 1 2	1 2 1 2
PORT A FLOW	IN OUT OUT IN	IN OUT OUT IN
PORT B FLOW	OUT IN IN OUT	OUT IN IN OUT

UNLESS OTHERWISE SPECIFIED ALL DIMENSIONS ARE IN INCHES	DRAWING BASED ON ANSI Y14.5M-1982	
TOLERANCES	NOTICE TO PERSONS RECEIVING THIS DRAWING AND / OR TECHNICAL INFORMATION Eaton Corporation claims proprietary rights in the information disclosed hereon. This document is issued in confidence and is not to be reproduced or used, in whole or in part, without the written permission of the Eaton Corporation.	
UNSPECIFIED HOLE ARE	DATE: JED 4-14-98	TITLE: EP CONTROL INSTALLATION
UNSPECIFIED DRAFT ANGLES ARE	DATE: RLL 4-16-98	NUMBER: 111676-000
DRAWING NUMBER	DATE: JED 4-17-98	SCALE: 1/1
DATE: JED 4-17-98	DATE: JED 4-17-98	SHEET 1 OF 1