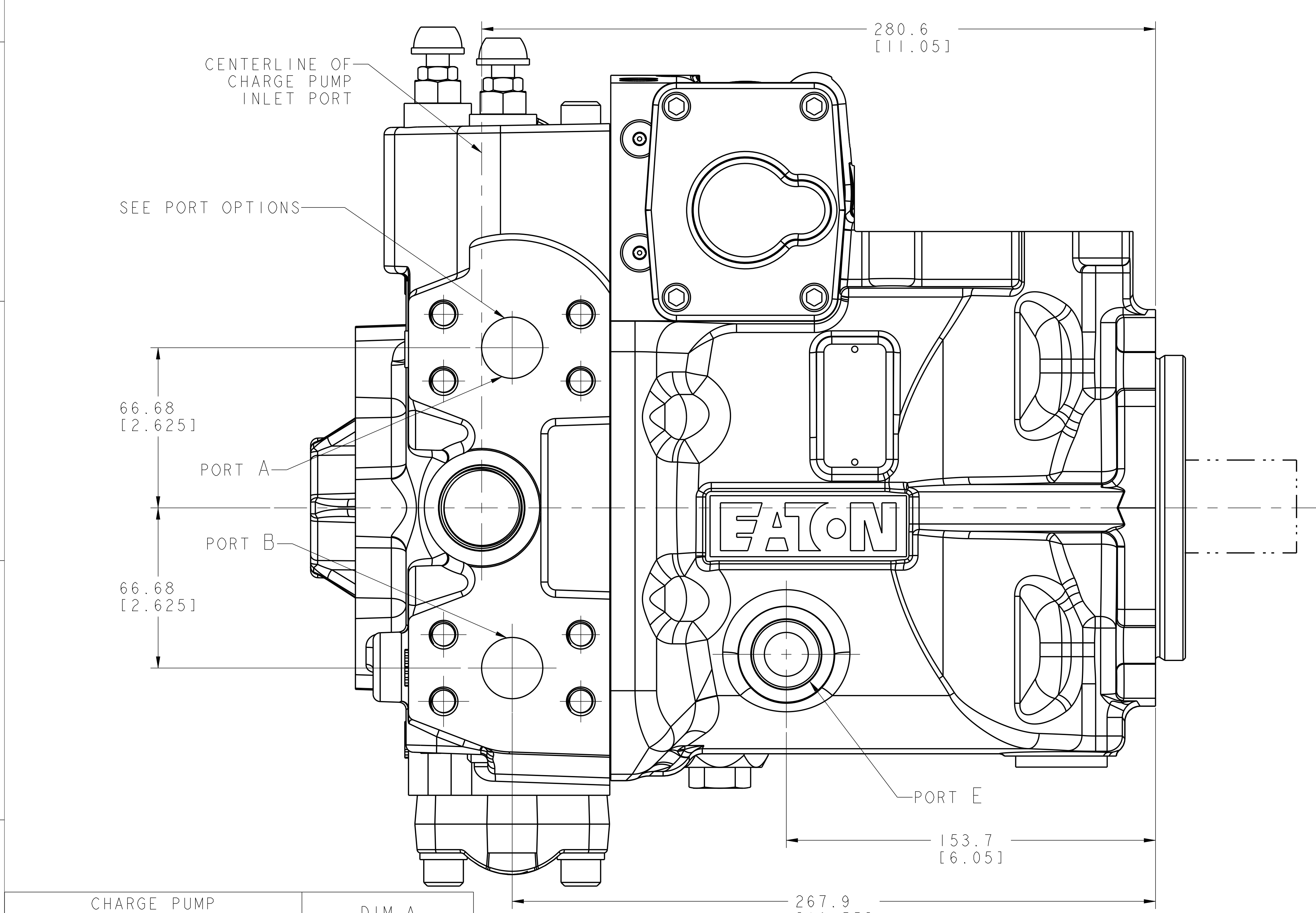
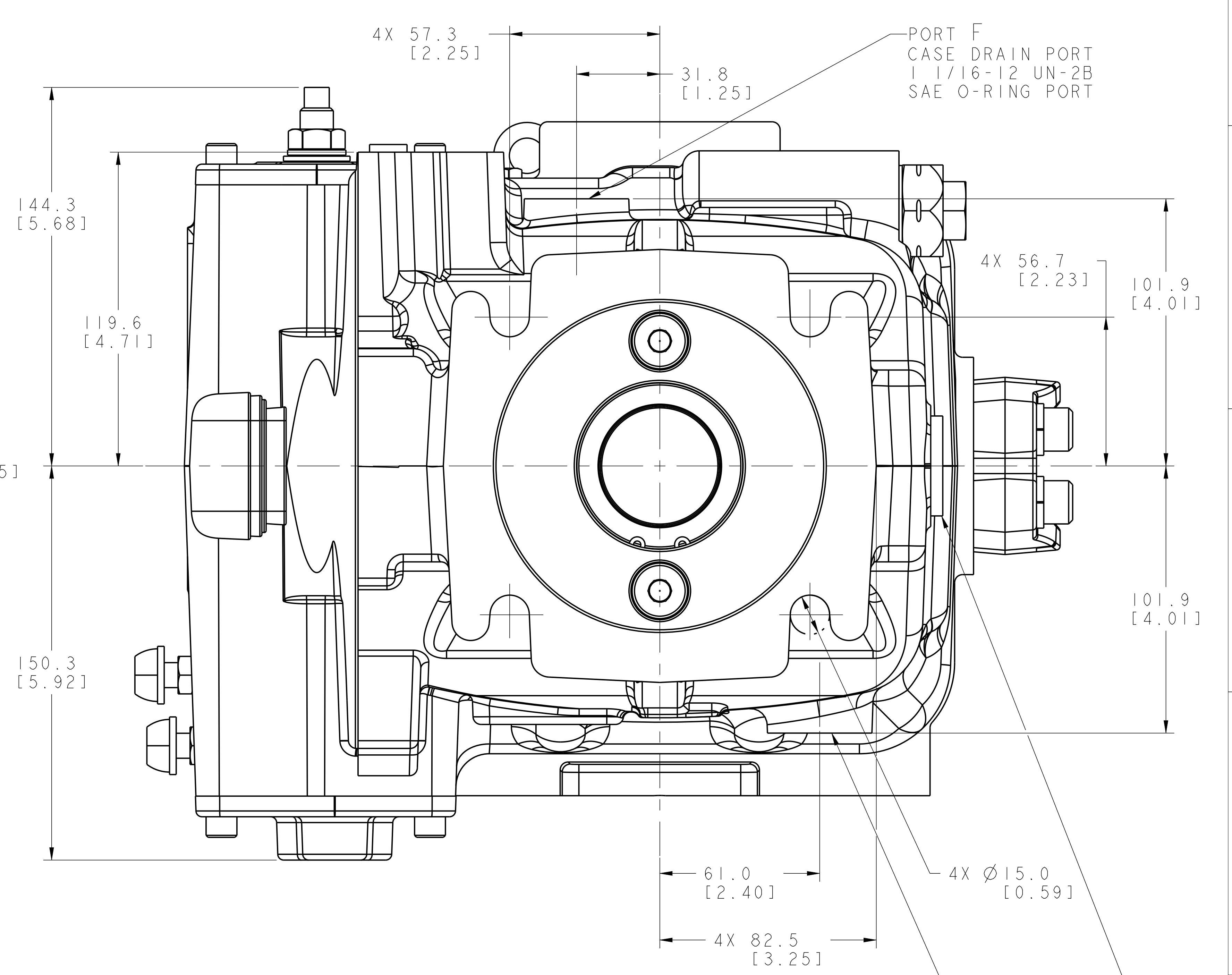
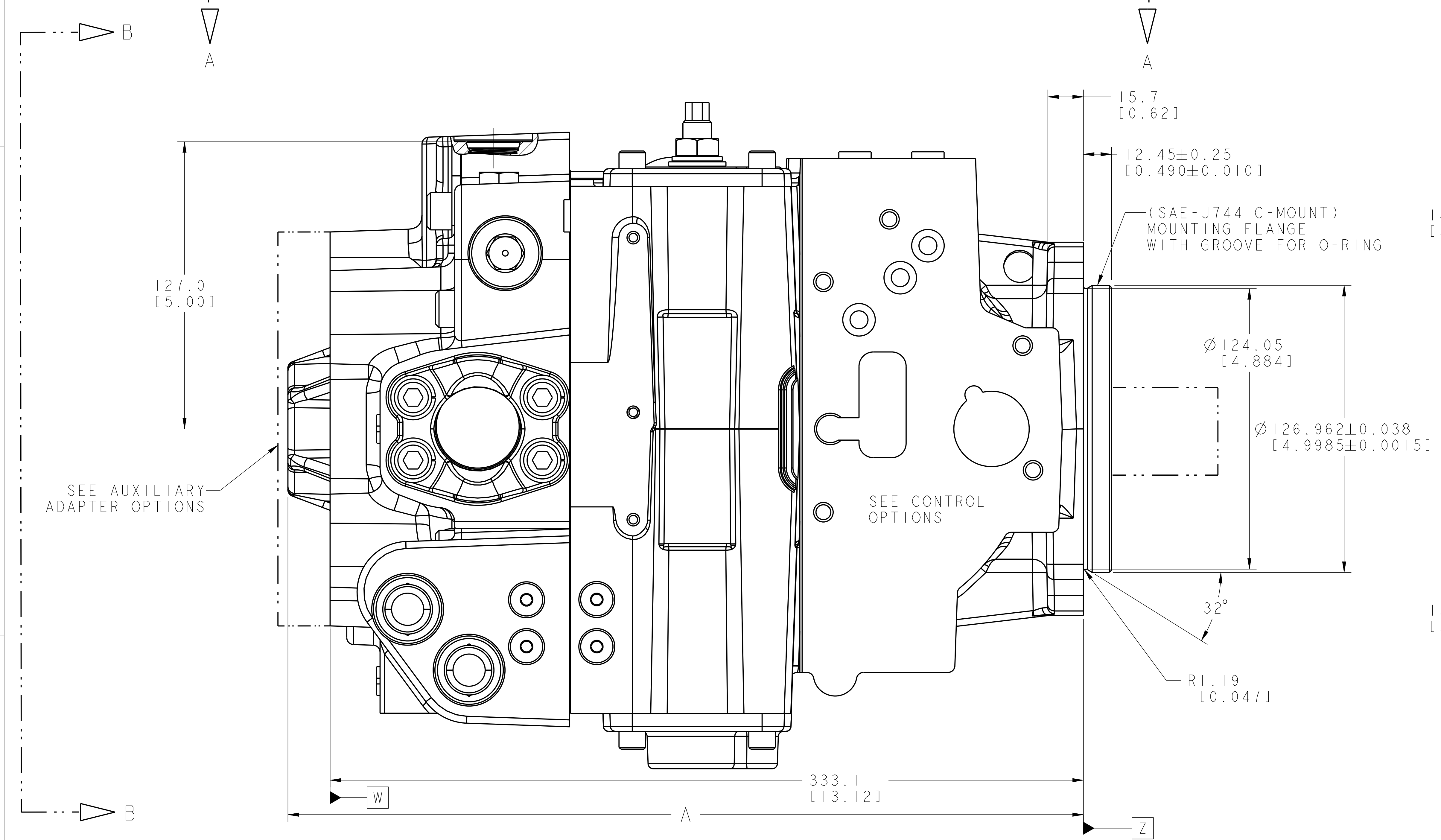


REV	DESCRIPTION	BY	CHK	DATE	ECN / MPS
A	ENGINEERING RELEASE	JED	SDR	2-7-2000	M22875
E	REVISED	VRS	KCS	04-02-21	PAIJ962D0R



CHARGE PUMP DISPLACEMENT	DIM A
13.9 cm ³ /r [0.85 in ³ /r]	334.5 [13.17]
17.4 cm ³ /r [1.06 in ³ /r]	338.1 [13.31]
21.0 cm ³ /r [1.28 in ³ /r]	341.6 [13.45]
27.9 cm ³ /r [1.70 in ³ /r]	348.5 [13.72]
34.7 cm ³ /r [2.12 in ³ /r]	355.3 [13.99]

- NOTE
- FOR ADDITIONAL INFORMATION ON INSTALLATION, START-UP PROCEDURES, AND RECOMMENDED FLUIDS, CONTACT YOUR EATON REPRESENTATIVE
 - ALL PORTS SEALED FOR SHIPPING
 - UNLESS OTHERWISE SPECIFIED ALL DIMENSIONS ARE NOMINAL
 - UNIT SHAFT ROTATION SPECIFIED IS VIEWED FROM INPUT SHAFT END

REVIEWED FOR CLASSIFICATION PER ESP-042

DRAWING BASED ON ASME Y14.5-2009

UNLESS OTHERWISE SPECIFIED ALL DIMENSIONS ARE IN
 INCHES
 MILLIMETERS (INCHES)

TOLERANCES
 .x ± .---
 .xx ± .---
 .xxx ± .---
 < ± .---°

UNSPECIFIED RADII ARE:

UNSPECIFIED DRAFT ANGLES ARE:
 ---°

E SIZE

THIRD ANGLE PROJECTION
 DO NOT SCALE

THE REPRODUCTION, DISTRIBUTION, AND UTILIZATION OF THIS DOCUMENT, AS WELL AS THE COMMUNICATION OF ITS CONTENTS TO OTHERS WITHOUT EXPLICIT AUTHORIZATION IS PROHIBITED. OFFENDERS WILL BE HELD LIABLE FOR THE PAYMENT OF DAMAGES. ALL RIGHTS RESERVED IN THE EVENT OF THE GRANT OF A PATENT, UTILITY MODEL, OR DESIGN. (PER ISO 16016)

DRAWN JED BY/DATE 2-21-2000
 CHECKED SDR BY/DATE 5-11-00
 ENGRG JKK BY/DATE 5-11-00
 METALLURGY --- BY/DATE ---

MATERIAL/HEAT TREAT

TITLE
 89, 105 CC SERIES 2 VARIABLE PUMP INSTALLATION, HIGH TORQUE, SAME SIDE PORTS

MICROINCHES
 MICROMETERS

NUMBER
 A-991-023

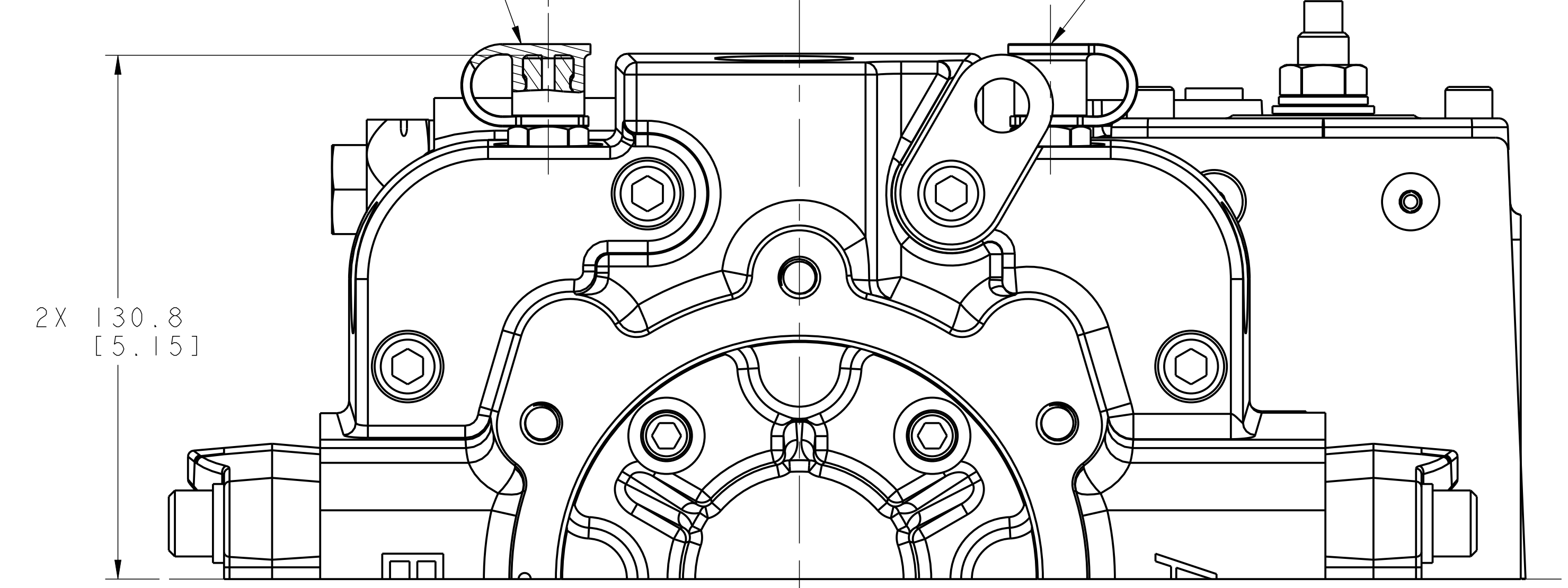
SCALE 1/1 SHEET 1 OF 2

REV	DESCRIPTION	BY	CHK	DATE	ECN / MPS
E	SEE SHEET 1 FOR REVISION				

PORT P
OPTIONAL GAUGE PORT FOR
B SIDE SYSTEM PRESSURE
DIAGNOSTIC RECEPTACLE PER SAE J1502

62.7 [2.47] 62.7 [2.47]

PORT N
OPTIONAL GAUGE PORT FOR
A SIDE SYSTEM PRESSURE
DIAGNOSTIC RECEPTACLE PER SAE J1502



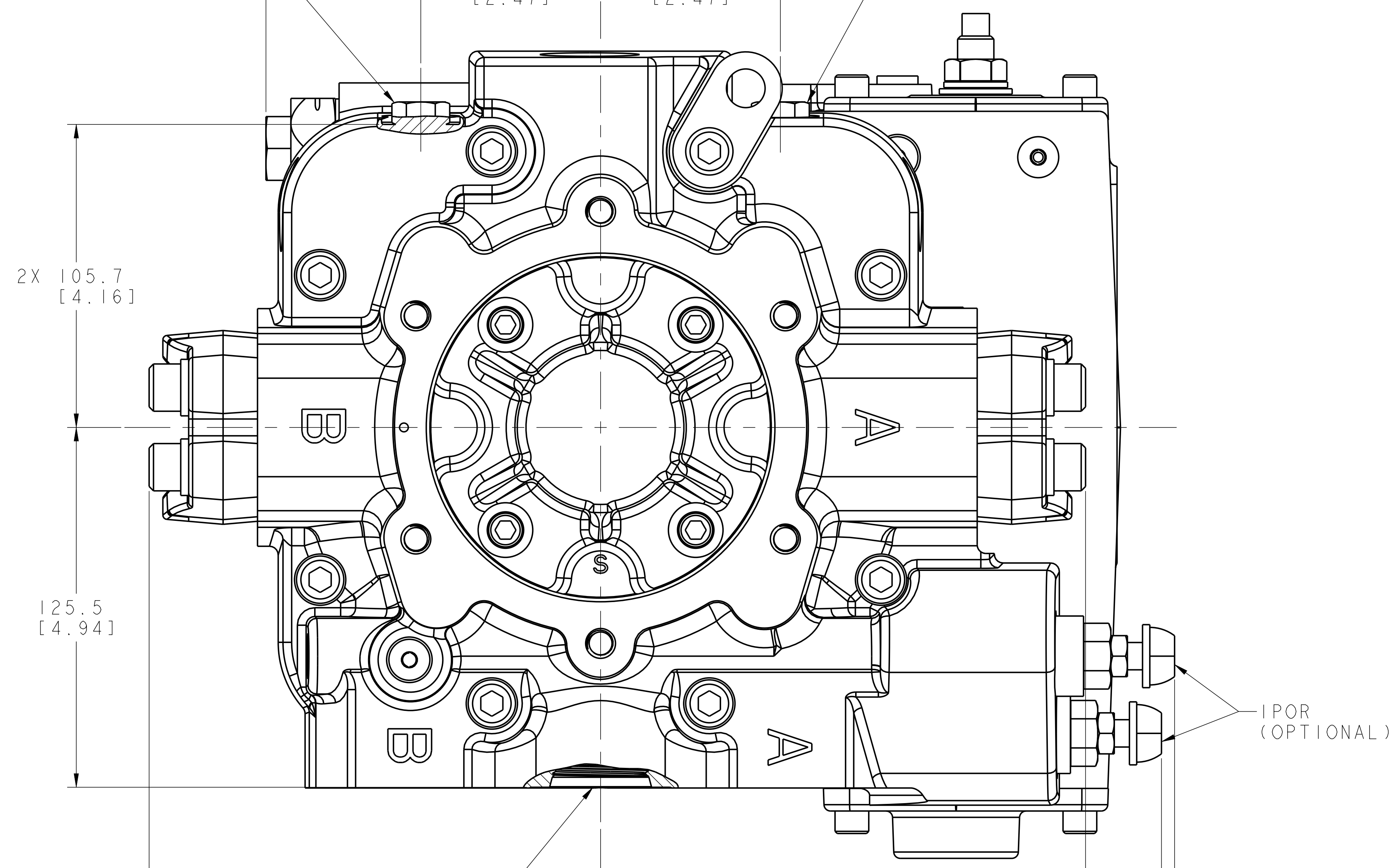
OPTIONAL DIAGNOSTIC RECEPTACLES

PORT P
OPTIONAL GAUGE PORT FOR
B SIDE SYSTEM PRESSURE
9/16-18 UNF-2B
SAE O-RING PORT

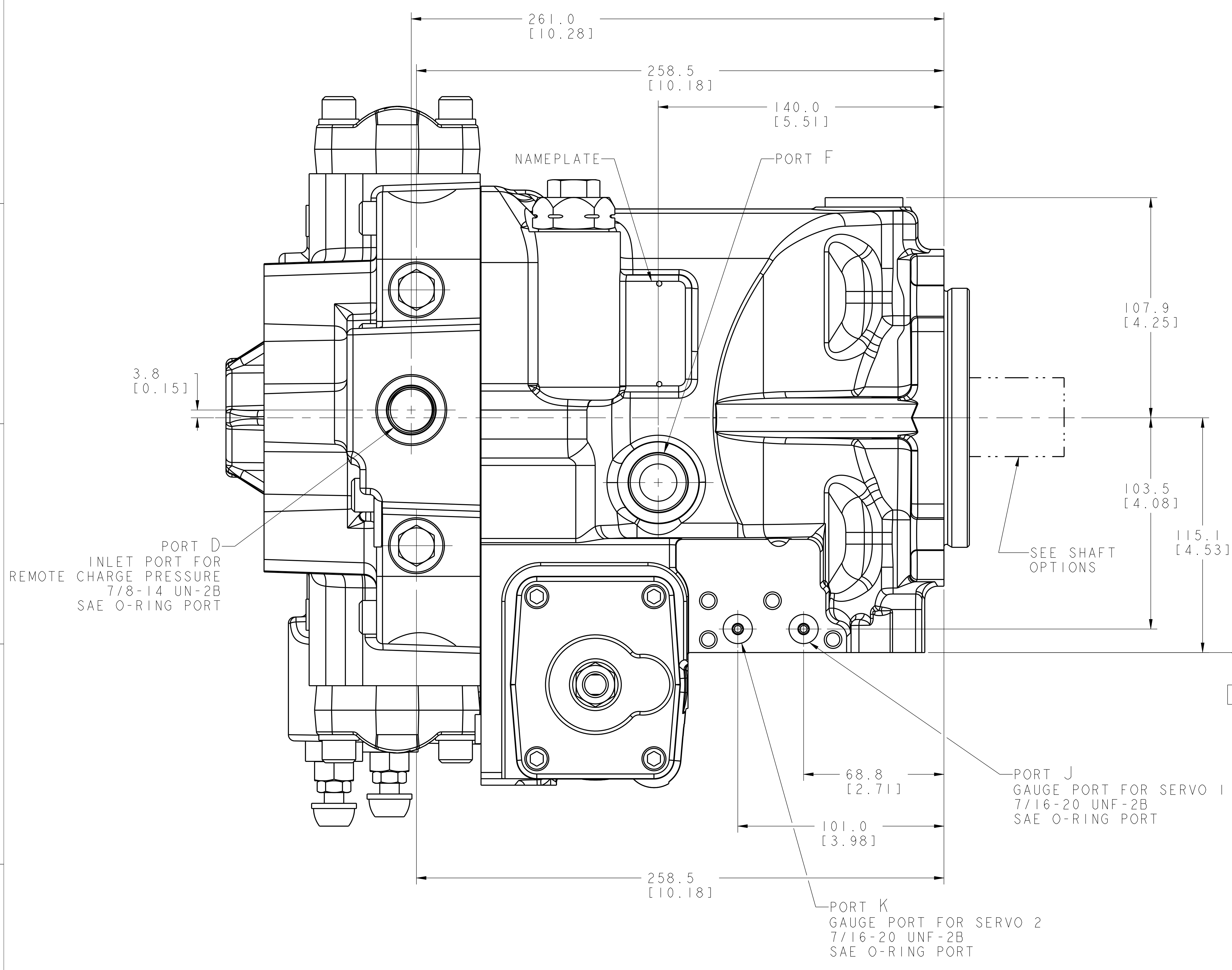
116.7 [4.59]

62.7 [2.47] 62.7 [2.47]

PORT N
OPTIONAL GAUGE PORT FOR
A SIDE SYSTEM PRESSURE
9/16-18 UNF-2B
SAE O-RING PORT



VIEW B-B



VIEW A-A

UNLESS OTHERWISE SPECIFIED ALL DIMENSIONS ARE IN INCHES [] MILLIMETERS [X]

TOLERANCES
 .x ± ---
 .xx ± ---
 .xxx ± ---
 < ± ---°

UNSPECIFIED RADII ARE: ---
 UNSPECIFIED DRAFT ANGLES ARE: ---°

E SIZE

THIRD ANGLE PROJECTION
 DO NOT SCALE

ARITHMETICAL AVERAGE

DRAWING BASED ON ASME Y14.5-2009

THE REPRODUCTION, DISTRIBUTION, AND UTILIZATION OF THIS DOCUMENT, AS WELL AS THE COMMUNICATION OF ITS CONTENTS TO OTHERS WITHOUT EXPLICIT AUTHORIZATION IS PROHIBITED. OFFENDERS WILL BE HELD LIABLE FOR THE PAYMENT OF DAMAGES. ALL RIGHTS RESERVED IN THE EVENT OF THE GRANT OF A PATENT, UTILITY MODEL, OR DESIGN. (PER ISO 16016)

Danfoss

DRAWN JED BY/DATE 2-21-2000
 CHECKED SDR BY/DATE 5-11-00
 ENGRG JKK BY/DATE 5-11-00
 METALLURGY --- BY/DATE ---

MATERIAL/HEAT TREAT ---

TITLE
 89, 105 CC SERIES 2 VARIABLE PUMP INSTALLATION, HIGH TORQUE, SAME SIDE PORTS

NUMBER
 A-991-023

SCALE 1/1 SHEET 2 OF 2