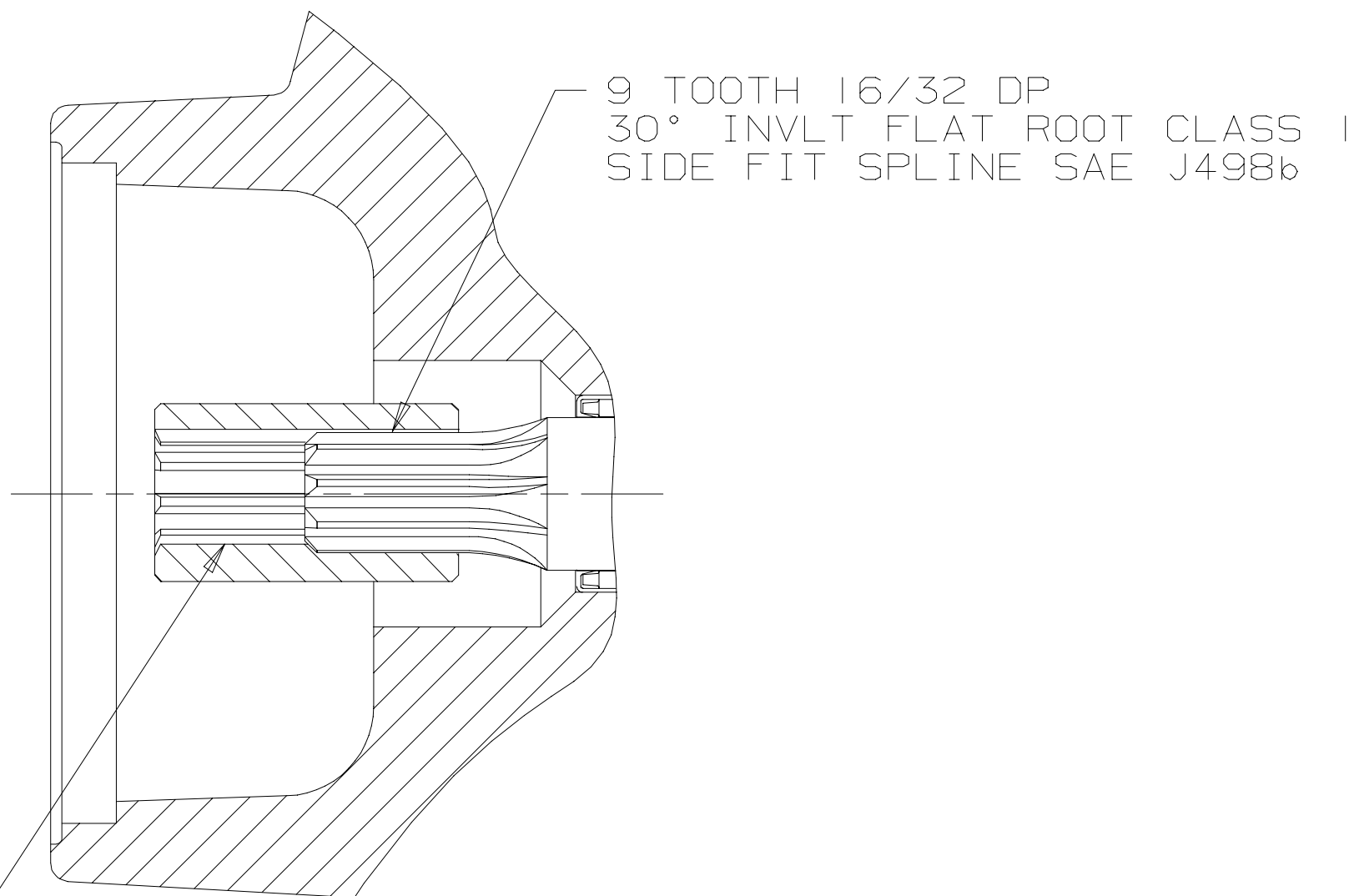

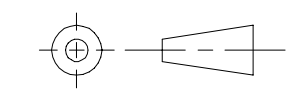


SYM	REVISION	BY	DATE	ECN
A	ENGINEERING RELEASE	MAS	3/11/92	21468



THIS UNIT WILL ACCEPT ANOTHER UNIT WITH AN SAE A MOUNT AND A 9 TOOTH SPLINE 31.8 [1.25] LONG FROM MOUNTING FLANGE ADDITIONAL UNITS DRIVEN BY THIS SPLINE MUST NOT REQUIRE MORE THAN 74.6 N·m [55 lbf·ft] TORQUE

G HK

UNLESS OTHERWISE SPECIFIED ALL DIMENSIONS ARE IN INCHES <input type="checkbox"/> MILLIMETERS [INCHES] <input checked="" type="checkbox"/>	DRAWING BASED ON ANSI Y14.5M-1982	
	<p>THE REPRODUCTION, DISTRIBUTION, AND UTILIZATION OF THIS DOCUMENT, AS WELL AS THE COMMUNICATION OF ITS CONTENTS TO OTHERS WITHOUT EXPLICIT AUTHORIZATION IS PROHIBITED. OFFENDERS WILL BE HELD LIABLE FOR THE PAYMENT OF DAMAGES. ALL RIGHTS RESERVED IN THE EVENT OF THE GRANT OF A PATENT, UTILITY MODEL, OR DESIGN. (PER ISO 16016)</p> 	
TOLERANCES .x ±REF .xx ±REF .xxx ±REF < ±REF	DRAWN M.A.STOICK BY/DATE 4/15/92 CHECKED BY/DATE	MATERIAL/HEAT TREAT
UNSPECIFIED RADII ARE	ENGRG BY/DATE	TITLE
UNSPECIFIED DRAFT ANGLES ARE	METALLURGY BY/DATE	OUTPUT SHAFT INSTALLATION
DRAWING FORMAT CADD <input checked="" type="checkbox"/> MANUAL <input type="checkbox"/>	 THIRD ANGLE PROJECTION DO NOT SCALE	NUMBER A-448-022 SCALE 1/1 SHEET 1 OF 1