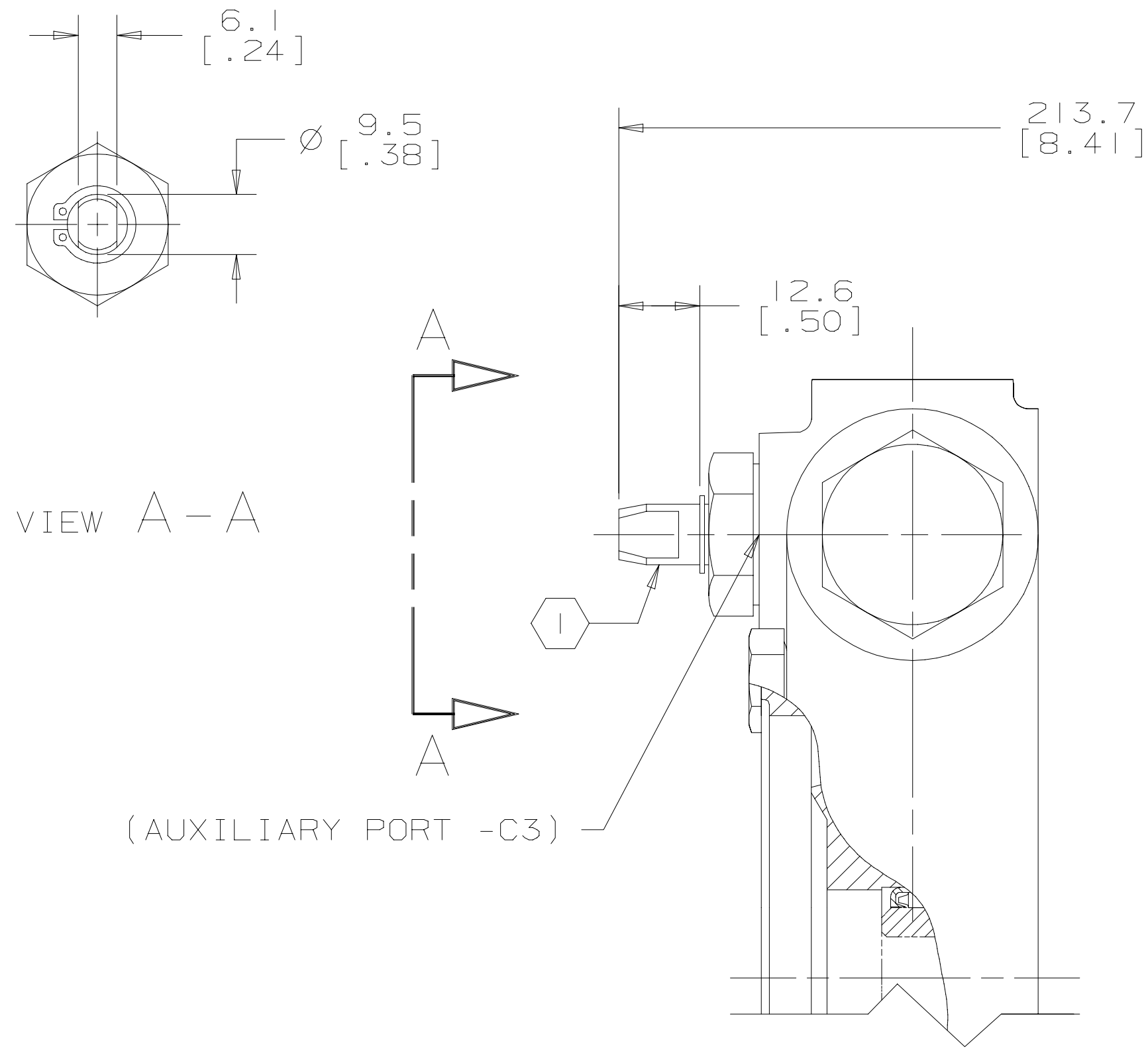


REV	DESCRIPTION	BY	CHK	DATE	ECN
A	ENGINEERING RELEASE	JMS	CEW	2-28-97	MI6595B



**I CAUTION**  
 THIS DUMP VALVE TO BE USED IN CASE OF EMERGENCY ONLY EXCESS TOWING MAY DAMAGE HYDRAULIC SYSTEM BEFORE TOWING VEHICLE TURN VALVE 90° TO DECLUTCH DO NOT TURN WHILE MACHINE IS RUNNING

G H

VIEW A-A

(AUXILIARY PORT -C3)

UNLESS OTHERWISE SPECIFIED ALL DIMENSIONS ARE IN INCHES <input type="checkbox"/> MILLIMETERS [INCHES] <input checked="" type="checkbox"/> <b>TOLERANCES</b> .X ± --- .XX ± --- .XXX ± --- < ± --- UNSPECIFIED RADII ARE --- UNSPECIFIED DRAFT ANGLES ARE --- DRAWING FORMAT CADD <input checked="" type="checkbox"/> MANUAL <input type="checkbox"/>	DRAWING BASED ON ANSI Y14.5M-1982		
	THE REPRODUCTION, DISTRIBUTION, AND UTILIZATION OF THIS DOCUMENT, AS WELL AS THE COMMUNICATION OF ITS CONTENTS TO OTHERS WITHOUT EXPLICIT AUTHORIZATION IS PROHIBITED. OFFENDERS WILL BE HELD LIABLE FOR THE PAYMENT OF DAMAGES. ALL RIGHTS RESERVED IN THE EVENT OF THE GRANT OF A PATENT, UTILITY MODEL, OR DESIGN. (PER ISO 16016)		
	DRAWN BY/DATE JMS 3-5-97 CHECKED BY/DATE CEW 3-6-97 ENGRG BY/DATE CEW 4-9-97 METALLURGY --- BY/DATE	MATERIAL/HEAT TREAT  TITLE PORT INSTALLATION	
	THIRD ANGLE PROJECTION DO NOT SCALE	MICROINCHES <input type="checkbox"/> MICROMETERS [MICROINCHES] <input type="checkbox"/> ARITHMETICAL AVERAGE <input checked="" type="checkbox"/>	NUMBER A-291-044 SCALE 1/1 SHEET 1 OF 1

