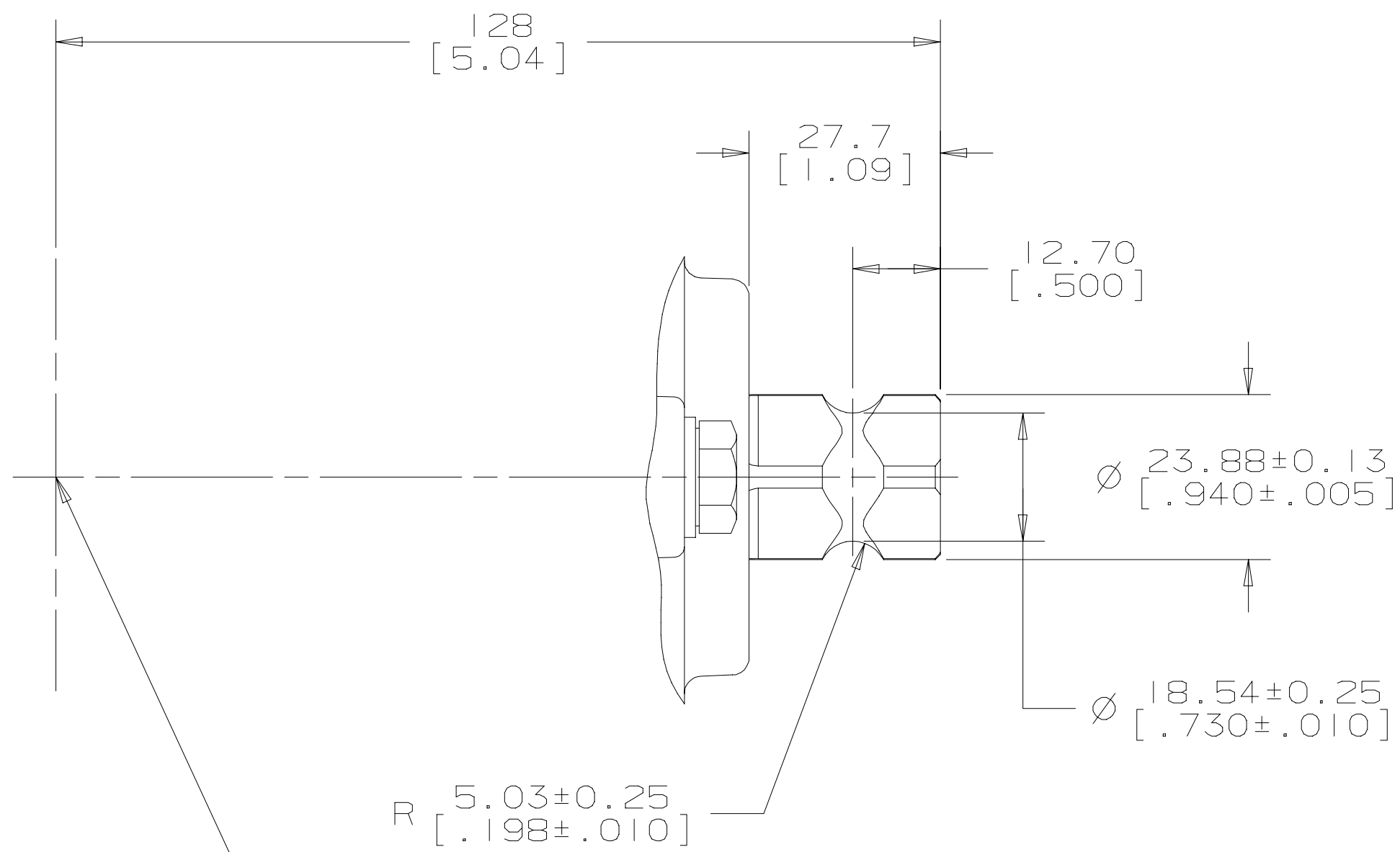
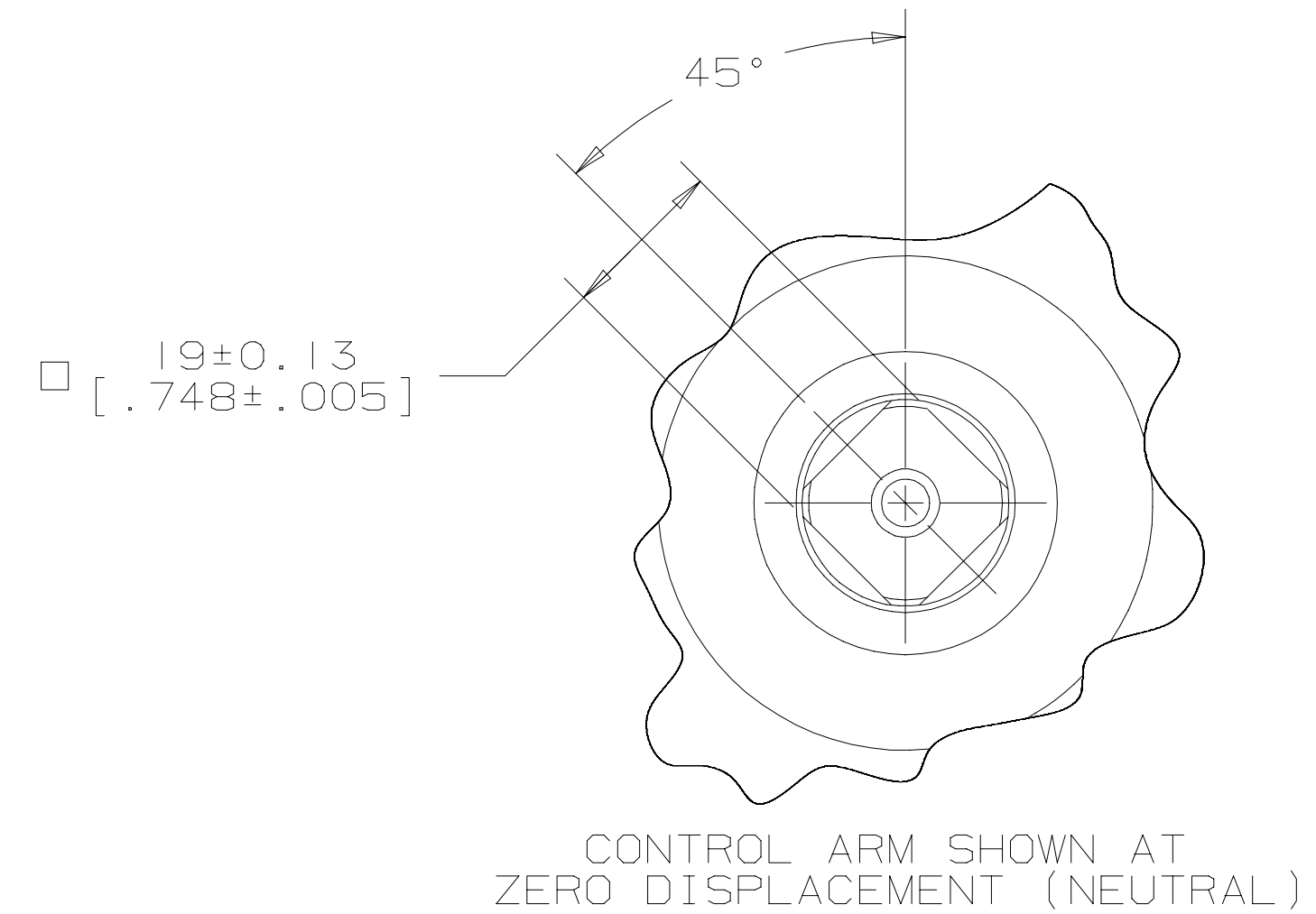


REV	DESCRIPTION	BY	CHK	DATE	ECN
A	RELEASE FOR SAMPLES AND ESTIMATE	JMM	JMM	6-11-97	MI7711
C	ENGINEERING RELEASE	JMS	JMM	6-17-97	MI7772



CENTER LINE OF DRIVE
SHAFT (SHOWN IN
FRONT VIEW FOR DETAIL)



G H

UNLESS OTHERWISE SPECIFIED ALL DIMENSIONS ARE IN INCHES <input type="checkbox"/> MILLIMETERS <input checked="" type="checkbox"/>	DRAWING BASED ON ANSI Y14.5M-1982	
	THE REPRODUCTION, DISTRIBUTION, AND UTILIZATION OF THIS DOCUMENT, AS WELL AS THE COMMUNICATION OF ITS CONTENTS TO OTHERS WITHOUT EXPLICIT AUTHORIZATION IS PROHIBITED. OFFENDERS WILL BE HELD LIABLE FOR THE PAYMENT OF DAMAGES. ALL RIGHTS RESERVED IN THE EVENT OF THE GRANT OF A PATENT, UTILITY MODEL, OR DESIGN. (PER ISO 16016)	
TOLERANCES .X ± ---- .XX ± REF .XXX ± ONLY < ± ----	DRAWN BY/DATE JMM 6-9-97 CHECKED BY/DATE JMM 6-16-97 ENGRG BY/DATE BMH 6-16-97 METALLURGY BY/DATE ----	MATERIAL/HEAT TREAT TITLE CONTROL SHAFT INSTALLATION
UNSPECIFIED RADII ARE ----	<input type="checkbox"/> MICROINCHES <input type="checkbox"/> MICROMETERS <input checked="" type="checkbox"/> MICROINCHES	NUMBER A-1170-010
UNSPECIFIED DRAFT ANGLES ARE ----	<input checked="" type="checkbox"/> THIRD ANGLE PROJECTION DO NOT SCALE	ARITHMETICAL AVERAGE <input checked="" type="checkbox"/> SCALE 1/1 SHEET 1 OF 1
DRAWING FORMAT CADD <input checked="" type="checkbox"/> MANUAL <input type="checkbox"/>		

