

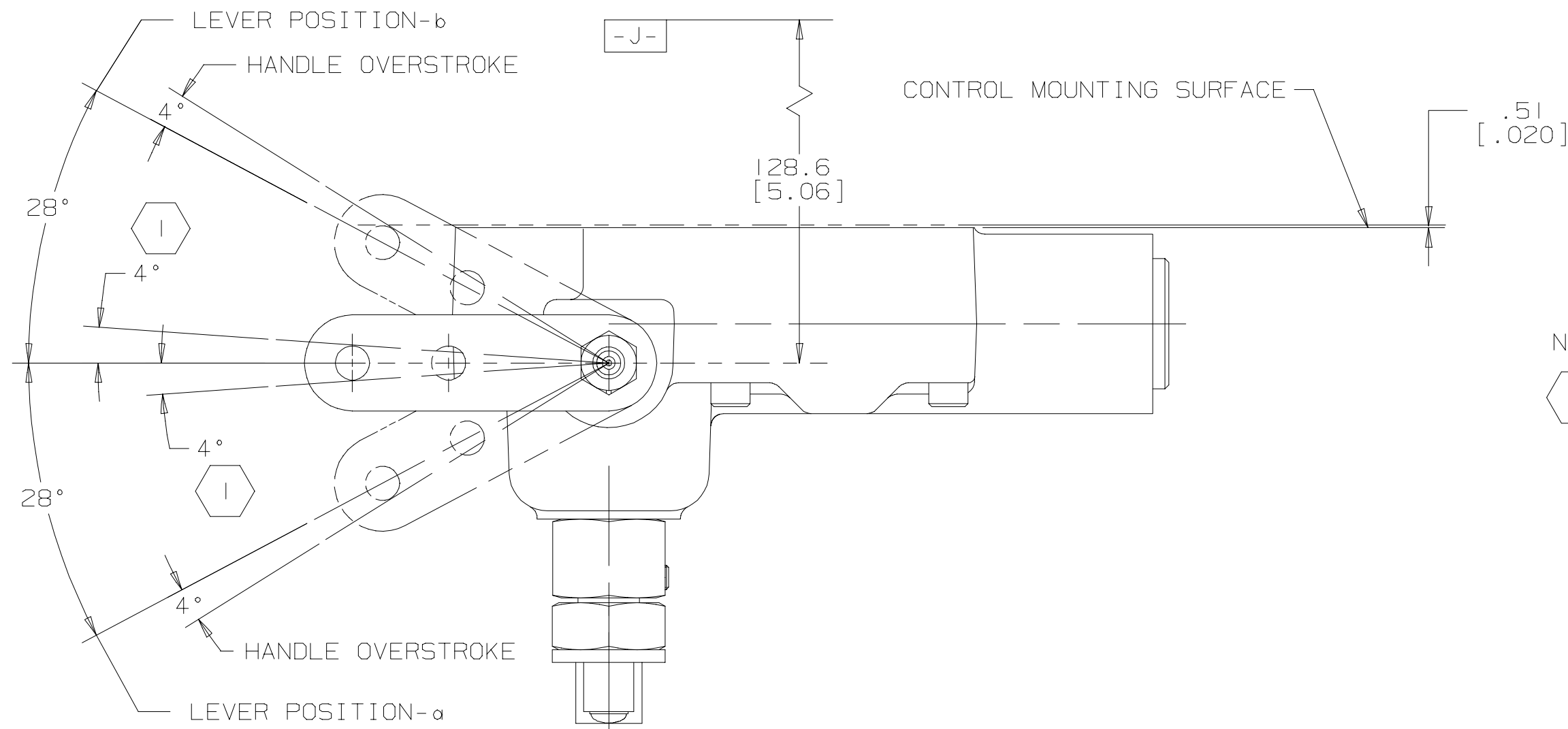
4

3

2

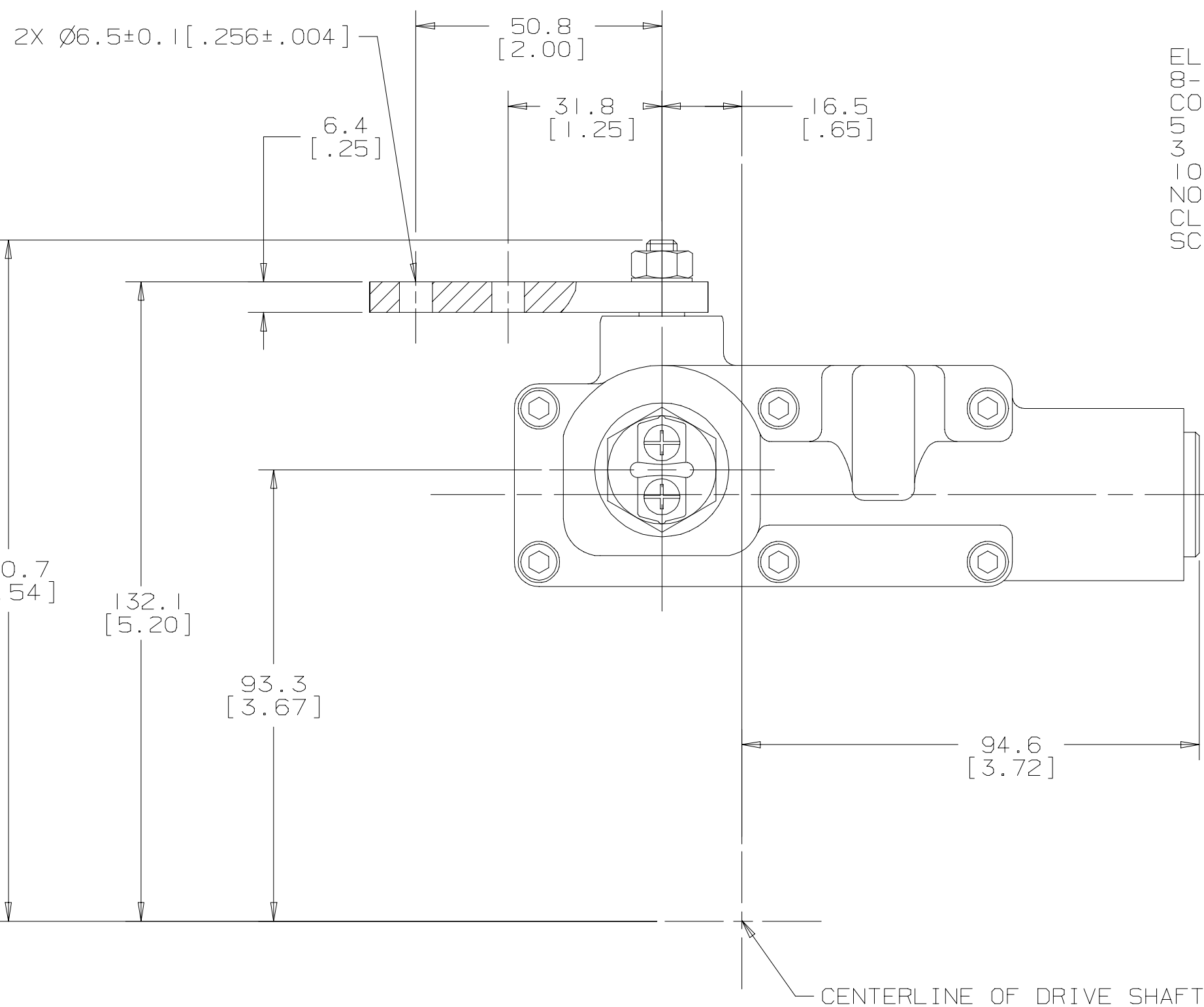
1

REV	DESCRIPTION	BY	CHK	DATE	ECN
A	ENGINEERING RELEASE	JMS	CEW	6-18-96	28322

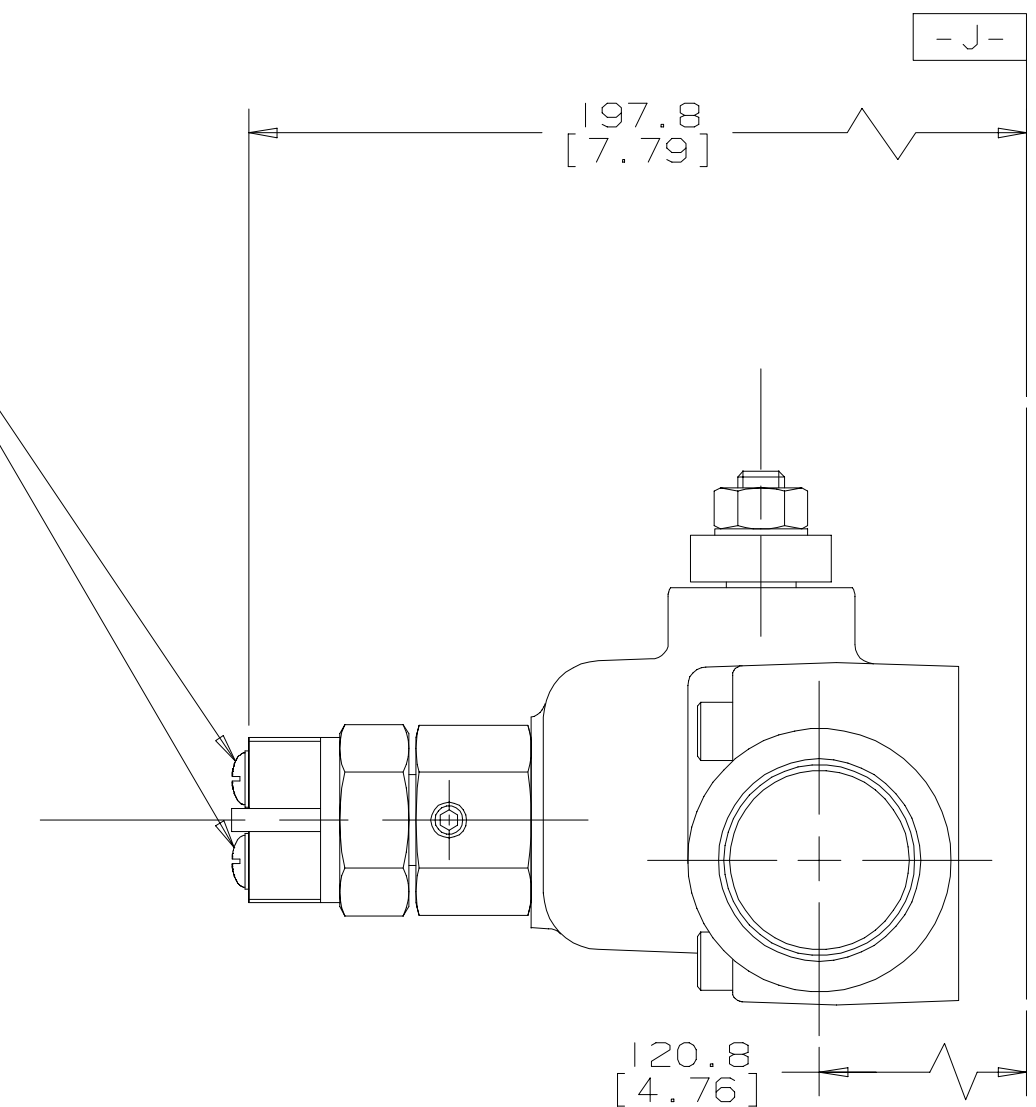


NOTE

- 1 WIDE BAND NEUTRAL ZONE (4°)
- 2 RIGHT HAND (CLOCKWISE) ROTATION
LEVER POSITION-a ----- PORT-A FLOW FROM SYSTEM PRESSURE
LEVER POSITION-b ----- PORT-B FLOW FROM SYSTEM PRESSURE
LEFT HAND (COUNTER CLOCKWISE) ROTATION
LEVER POSITION-a ----- PORT-B FLOW FROM SYSTEM PRESSURE
LEVER POSITION-b ----- PORT-A FLOW FROM SYSTEM PRESSURE



ELECTRICAL CONNECTORS
8-32 SEMS SCREW
CONTACT RATINGS
5 AMPS MAX AT 12 VOLTS
3 AMPS MAX AT 24 VOLTS
100 mA MINIMUM
NORMALLY CLOSED CONTACTS
CLOSED AT NEUTRAL TIGHTEN
SCREWS 1.6-2.0 N·m
[14-18 lbf·in]



UNLESS OTHERWISE SPECIFIED ALL DIMENSIONS ARE IN INCHES <input type="checkbox"/> MILLIMETERS <input checked="" type="checkbox"/> TOLERANCES .X ± --- .XX ± --- .XXX ± --- < ± --- UNSPECIFIED RADII ARE --- UNSPECIFIED DRAFT ANGLES ARE --- DRAWING FORMAT CADD <input checked="" type="checkbox"/> MANUAL <input type="checkbox"/>	DRAWING BASED ON ANSI Y14.5M-1982	
	THE REPRODUCTION, DISTRIBUTION, AND UTILIZATION OF THIS DOCUMENT, AS WELL AS THE COMMUNICATION OF ITS CONTENTS TO OTHERS WITHOUT EXPLICIT AUTHORIZATION IS PROHIBITED. OFFENDERS WILL BE HELD LIABLE FOR THE PAYMENT OF DAMAGES. ALL RIGHTS RESERVED IN THE EVENT OF THE GRANT OF A PATENT, UTILITY MODEL, OR DESIGN. (PER ISO 16016)	
DRAWN BY/DATE JMS 6-16-96 CHECKED BY/DATE CEW 6-21-96 ENGRG BY/DATE CEW 6-21-96 METALLURGY --- BY/DATE	MATERIAL/HEAT TREAT TITLE SERVO CONTROL INSTALLATION	
MICROINCHES <input type="checkbox"/> MICROMETERS <input type="checkbox"/> THIRD ANGLE PROJECTION DO NOT SCALE	NUMBER A-387-023	ARITHMETICAL AVERAGE SCALE 1/1 SHEET 1 OF 1

4

3

2

1