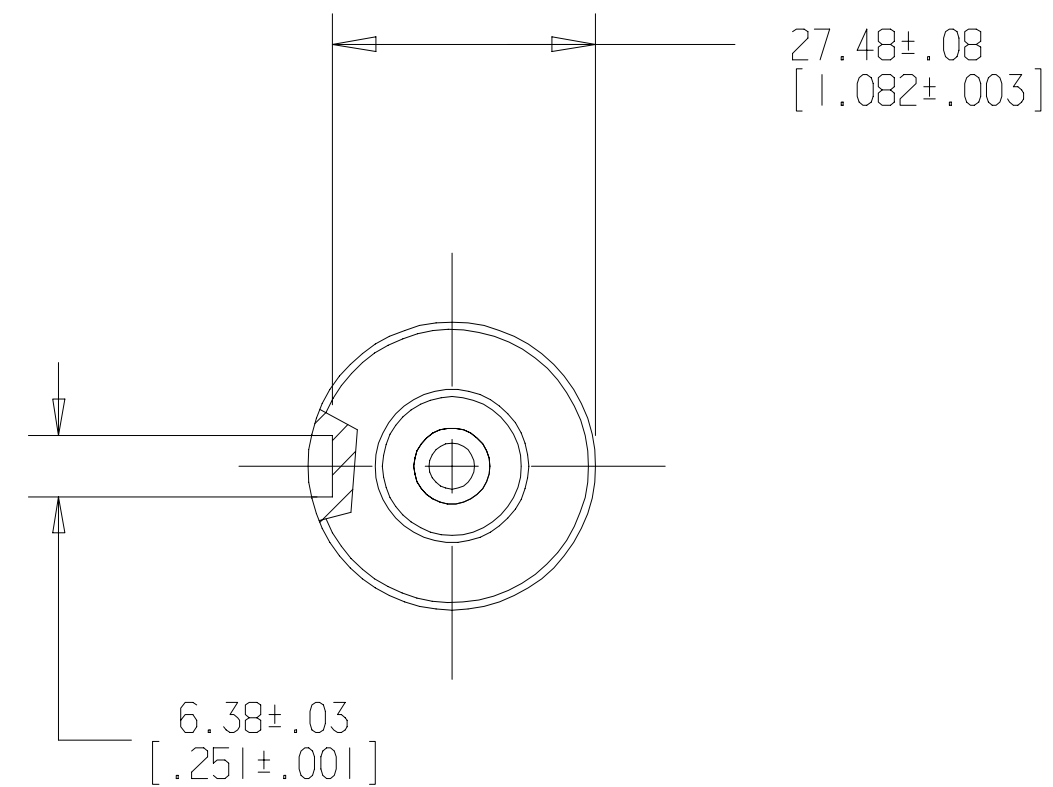


SYM	REVISION	BY	DATE	ECN
A	ENGINEERING RELEASE	JS	3-11-92	21468
B	TITLE WAS INPUT SHAFT INSTALLATION	JMS	3-27-96	27970



G H

UNLESS OTHERWISE SPECIFIED ALL DIMENSIONS ARE IN INCHES <input type="checkbox"/> MILLIMETERS <input checked="" type="checkbox"/> [INCHES]	DRAWING BASED ON ANSI Y14.5M-1982		
	THE REPRODUCTION, DISTRIBUTION, AND UTILIZATION OF THIS DOCUMENT, AS WELL AS THE COMMUNICATION OF ITS CONTENTS TO OTHERS WITHOUT EXPLICIT AUTHORIZATION IS PROHIBITED. OFFENDERS WILL BE HELD LIABLE FOR THE PAYMENT OF DAMAGES. ALL RIGHTS RESERVED IN THE EVENT OF THE GRANT OF A PATENT, UTILITY MODEL, OR DESIGN. (PER ISO 16016)		
TOLERANCES .X ± .XX ± REF .XXX ± ANGLES ±	DRAWN BY/DATE RLM 8/14/91 CHECKED BY/DATE DLL 4/23/92	MATERIAL/HEAT TREAT	
UNSPECIFIED RADII ARE _____	ENGRG BY/DATE DMW 4/27/92 METALLURGY BY/DATE ---	TITLE SHAFT INSTALLATION	
UNSPECIFIED DRAFT ANGLES ARE _____	 THIRD ANGLE PROJECTION	NUMBER A-290-036	
DRAWING FORMAT CADD <input checked="" type="checkbox"/> MANUAL <input type="checkbox"/>	DO NOT SCALE	SCALE   /	SHEET   OF