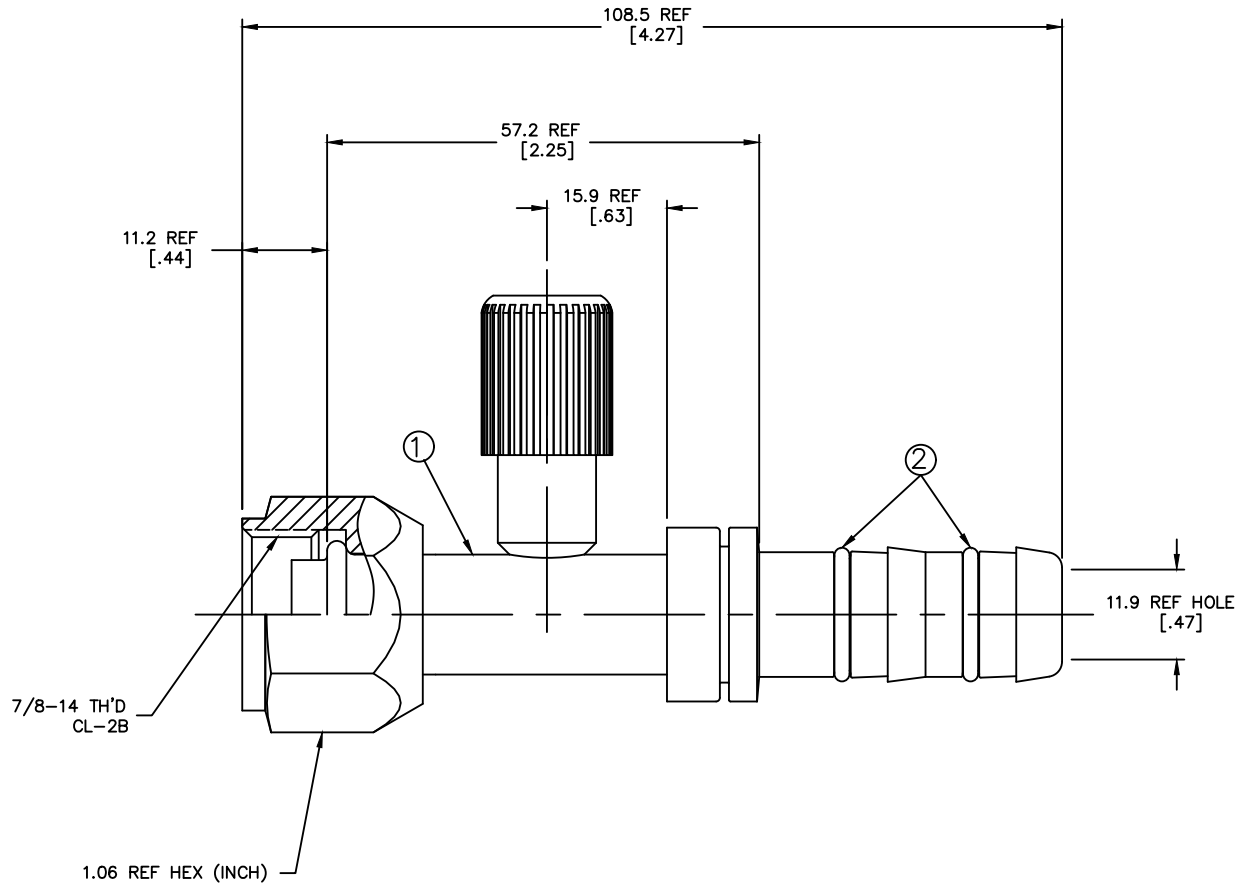


THE REPRODUCTION, DISTRIBUTION AND UTILIZATION OF THIS DOCUMENT AS WELL AS THE COMMUNICATION OF ITS CONTENTS TO OTHERS WITHOUT EXPLICIT AUTHORIZATION IS PROHIBITED. OFFENDERS WILL BE HELD LIABLE FOR THE PAYMENT OF DAMAGES. ALL RIGHTS RESERVED IN THE EVENT OF THE GRANT OF A PATENT, UTILITY MODEL, OR DESIGN. (PER ISO 16040)

REVISIONS			
REV	DESCRIPTION	DATE	APPROVED



METRIC

- DIMENSIONS ARE IN MILLIMETERS [INCHES].
- LUBRICATE O'RINGS AND ASSEMBLE TO NIPPLE AS SHOWN.

FJ3054-1012S	FJ2054-1012S	1F40106-12		
AEROQUIP PART NUMBER	① NIPPLE ASSEMBLY	② O'RING (2 REQ'D)		
LIST OF MATERIALS				
ITEM NO.	MATERIAL	DRAWN	DRAWING TITLE	
1	STEEL	W.R.HYDE	FLUID CONVEYANCE DIVISION FITTING ASSEMBLY FEMALE O'RING PILOT (SHORT) WITH LOW SIDE CHARGE PORT, GHT34 HOSE	
2	HNBR	R.D.GARRETT		
		R.D.GARRETT		
		APPROVED		
		RELEASE DATE		
		1999-12-19	SIZE	REV
		EN-F19520	A2	FJ3054-1012S
		DP-1256	SCALE	DIST U CAGE CODE 01276 SHEET NO
		THIRD ANGLE PROJECTION		
		ITEM TYPE: TSA		

DWG. NO. FJ3054-1012S SH. REV.