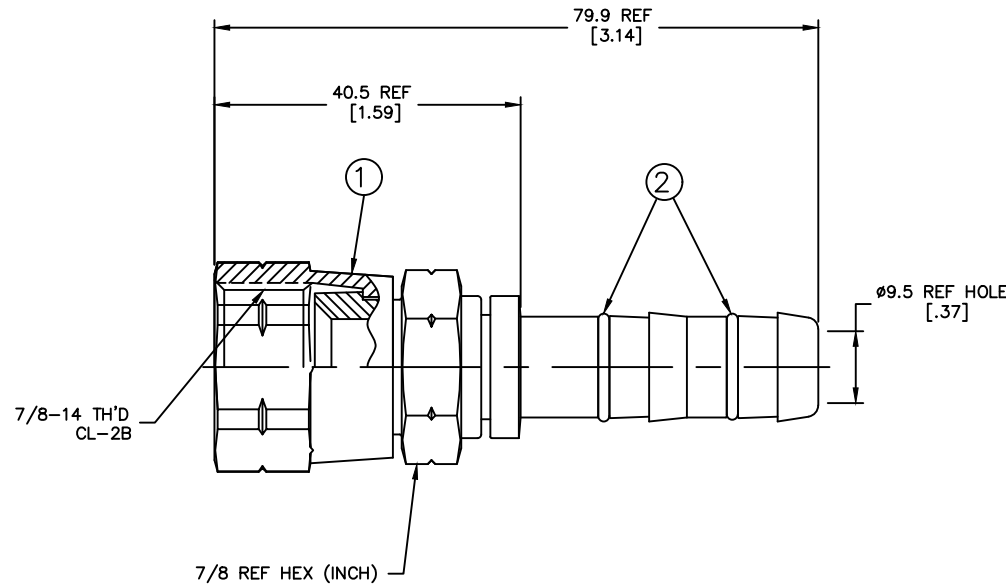


REVISIONS			
REV	DESCRIPTION	DATE	APPROVED
A	(1) WAS "FJ2057-03-1010S"	2000-12-18 JJB	EN-F21024 DP-1256



- 2. DIMENSIONS ARE IN MILLIMETERS [INCHES].
- 1. LUBRICATE O'RINGS AND ASSEMBLE ON NIPPLE AS SHOWN.

METRIC

AEROQUIP PART NUMBER		NIPPLE ASSEMBLY		O'RING	
FJ3057-05-1010S	FJ2057-05-1010S	1F40106-10			
	①	②	(2 REQUIRED)		
LIST OF MATERIALS					
ITEM NO.	MATERIAL	DRAWN M. RAYMO			
1	STEEL	CHECKED D. BAILEY			
2	HNBR	APPROVED D. BAILEY			
		RELEASE DATE 2000-08-31			
		EN-F20300			
		DP-1256			
		THIRD ANGLE PROJECTION			
		SCALE 2:1	DIST U	CAGE CODE 01276	SHEET

Fluid Conveyance Division

DRAWING TITLE

FITTING ASSEMBLY

SAE 45° SWIVEL,

GH134 HOSE

SIZE **A2** DRAWING NUMBER **FJ3057-05-1010S** REV **A**

DWG. NO. FJ3057-05-1010S REV. A SH. 1