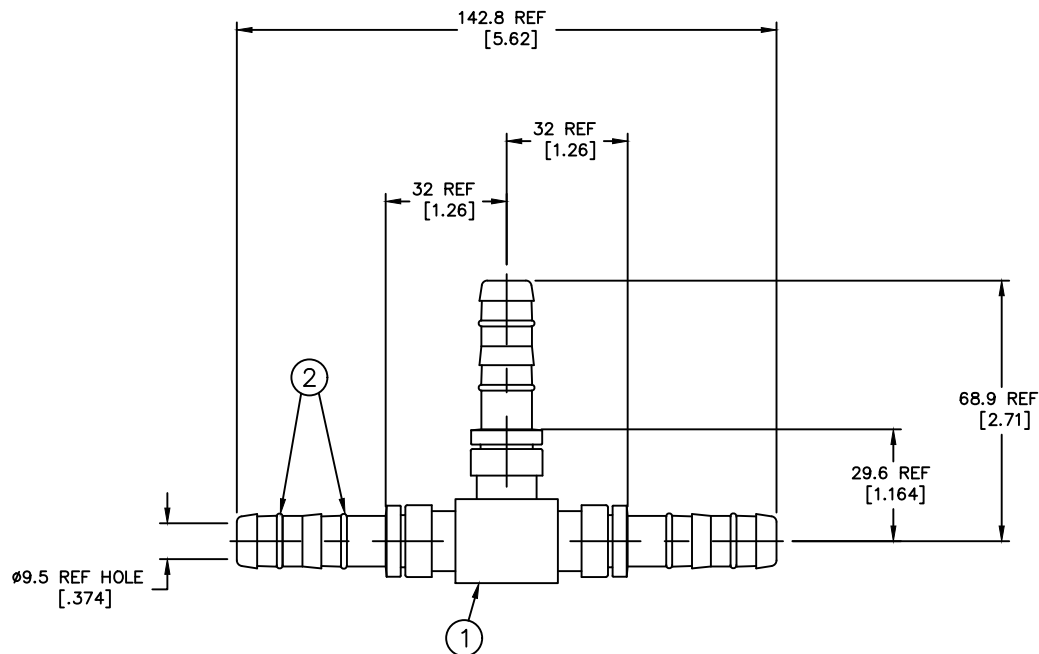


REVISIONS			
REV	DESCRIPTION	DATE	APPROVED
A	(1)WAS 1F40106-12	2001-06-29 MLG/BAT	EN-F22091 DP-24901



METRIC

FJ3066-1010S	FJ2066-1010S	1F40106-10			
AEROQUIP PART NUMBER	① NIPPLE ASSEMBLY	② O'RINGS (6 REQ'D)			

LIST OF MATERIALS

ITEM NO.	MATERIAL	DRAWING TITLE			
1	STEEL	DRAWN: A. LENTZ CHECKED: W.R. HYDE APPROVED: B. THOMAS RELEASE DATE: 2001-04-19 EN-F21441 DP-1256 THIRD ANGLE PROJECTION FLUID CONVEYANCE DIVISION FITTING ASSEMBLY TEE, GH134 HOSE			
2	HNBR				
ITEM TYPE:		SIZE: A2	DRAWING NUMBER: FJ3066-1010S	REV: A	
		SCALE: 1/1	DIST: U	CAGE CODE: 01276	SHEET

2. DIMENSIONS ARE IN MILLIMETERS [INCHES].

1. LUBRICATE O'RINGS AND ASSEMBLE TO NIPPLES AS SHOWN.

REV. A
SH. A
DWG. NO. FJ3066-1010S