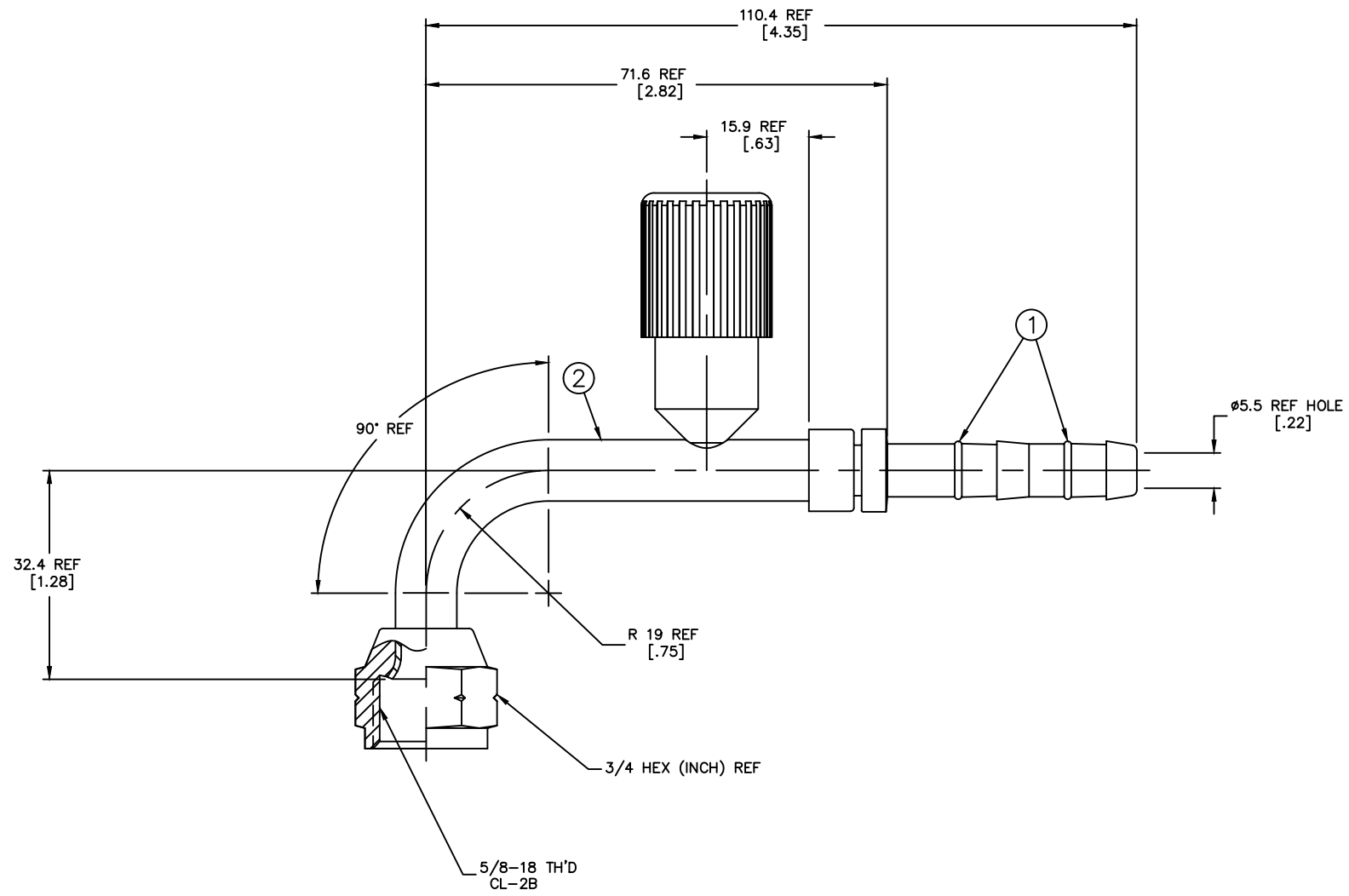


THE REPRODUCTION, DISTRIBUTION AND UTILIZATION OF THIS DOCUMENT AS WELL AS THE COMMUNICATION OF ITS CONTENTS TO OTHERS WITHOUT EXPLICIT AUTHORIZATION IS PROHIBITED. OFFENDERS WILL BE HELD LIABLE FOR THE PAYMENT OF DAMAGES. ALL RIGHT RESERVED IN THE EVENT OF THE GRANT OF A PATENT, UTILITY MODEL OR DESIGN. (PER ISO 10010)

REVISIONS			
REV	DESCRIPTION	DATE	APPROVED



METRIC

2. DIMENSIONS ARE IN MILLIMETERS [INCHES].
 1. LUBRICATE O-RINGS AND ASSEMBLE TO NIPPLE AS SHOWN.

FJ3133-01-0606S	1F40106-06	FJ2133-01-0606S																						
AEROQUIP PART NUMBER	① O-RING (2 REQ'D)	② NIPPLE ASSEMBLY																						
LIST OF MATERIALS																								
ITEM NO.	MATERIAL	<table border="1"> <tr> <td>DRAWN R. KELLY</td> <td rowspan="4"> FLUID CONVEYANCE DIVISION DRAWING TITLE FITTING ASSEMBLY 90°, SAE REMALE O-RING PILOT (SHORT), WITH HIGH SIDE CHARGE PORT, SAE 45° SWIVEL, GH134 HOSE </td> </tr> <tr> <td>CHECKED R. D. WEBB</td> </tr> <tr> <td>APPROVED B. THOMAS</td> </tr> <tr> <td>RELEASE DATE 2000-07-10</td> </tr> <tr> <td></td> <td></td> <td>EN-F19986</td> <td>SIZE A2</td> <td>DRAWING NUMBER FJ3133-01-0606S</td> </tr> <tr> <td></td> <td></td> <td>DP-1256</td> <td>SCALE 2/1</td> <td>DIST U</td> </tr> <tr> <td></td> <td></td> <td></td> <td>CAGE CODE 01276</td> <td>SHEET</td> </tr> </table>			DRAWN R. KELLY	FLUID CONVEYANCE DIVISION DRAWING TITLE FITTING ASSEMBLY 90°, SAE REMALE O-RING PILOT (SHORT), WITH HIGH SIDE CHARGE PORT, SAE 45° SWIVEL, GH134 HOSE	CHECKED R. D. WEBB	APPROVED B. THOMAS	RELEASE DATE 2000-07-10			EN-F19986	SIZE A2	DRAWING NUMBER FJ3133-01-0606S			DP-1256	SCALE 2/1	DIST U				CAGE CODE 01276	SHEET
DRAWN R. KELLY	FLUID CONVEYANCE DIVISION DRAWING TITLE FITTING ASSEMBLY 90°, SAE REMALE O-RING PILOT (SHORT), WITH HIGH SIDE CHARGE PORT, SAE 45° SWIVEL, GH134 HOSE																							
CHECKED R. D. WEBB																								
APPROVED B. THOMAS																								
RELEASE DATE 2000-07-10																								
		EN-F19986	SIZE A2	DRAWING NUMBER FJ3133-01-0606S																				
		DP-1256	SCALE 2/1	DIST U																				
			CAGE CODE 01276	SHEET																				
1	HNBR																							
2	STEEL																							
ITEM TYPE: D I F A																								

DWG. NO. FJ3133-01-0606S SH. REV. EN