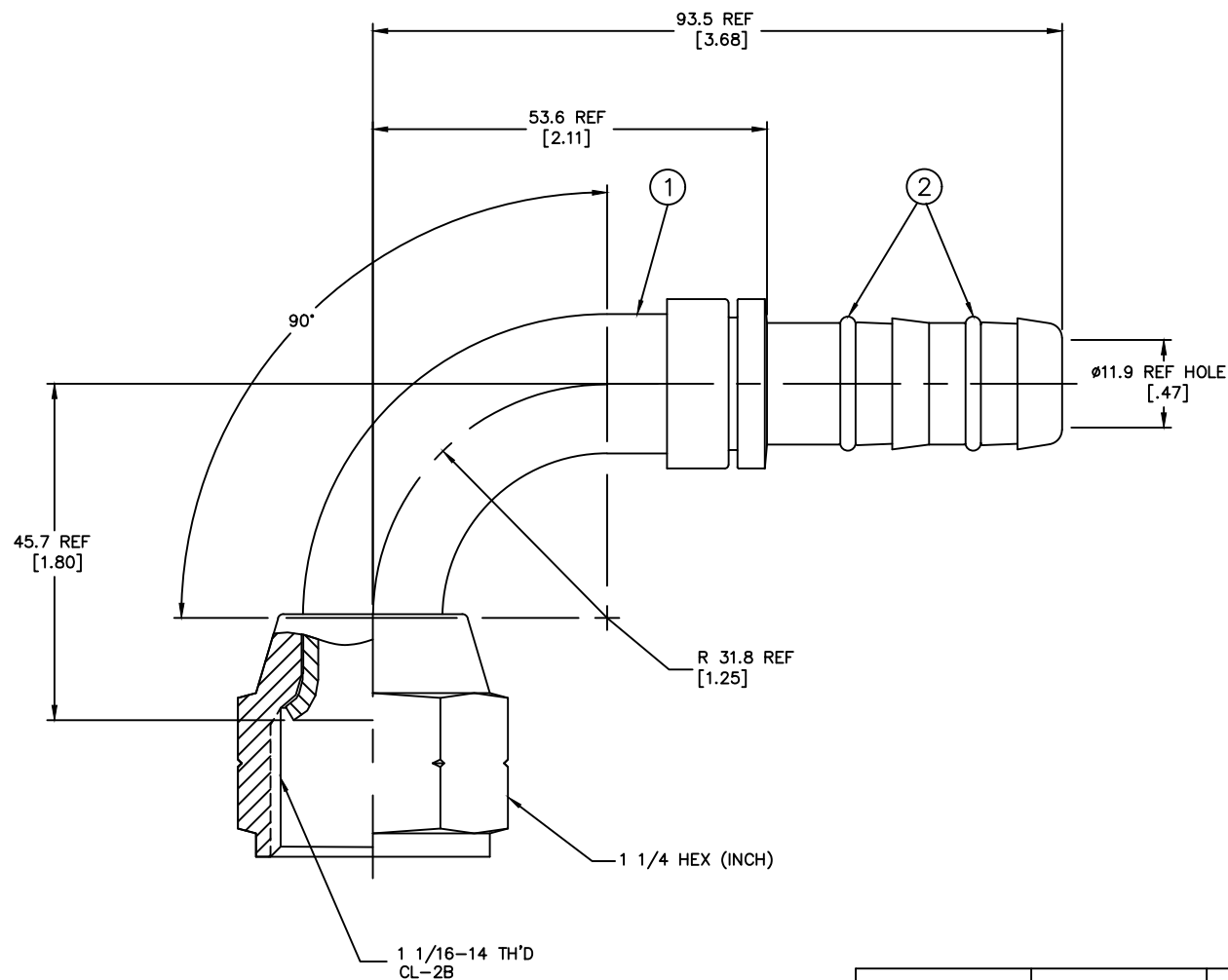


REVISIONS			
REV	DESCRIPTION	DATE	APPROVED



- 2. DIMENSIONS ARE IN MILLIMETERS [INCHES].
- 1. LUBRICATE O'RINGS AND ASSEMBLE TO NIPPLE AS SHOWN.

METRIC

FJ3149-06-1212S	FJ2149-06-1212S	1F40106-12			
AEROQUIP PART NUMBER	① NIPPLE ASSEMBLY	② O'RING (2 REQUIRED)			
LIST OF MATERIALS					
ITEM NO.	MATERIAL	DRAWN D. SNYDER	FLUID CONVEYANCE DIVISION DRAWING TITLE FITTING ASSEMBLY 90°, SAE 45° SWIVEL, GH134 HOSE SIZE A2 DRAWING NUMBER FJ3149-06-1212S SCALE 2/1 DIST U CAGE CODE 01276 SHEET		
1	STEEL	CHECKED W.R. HYDE			
2	HNBR	APPROVED W.R. HYDE			
		RELEASE DATE 2001-04-25			
		EN-F21416			
		DP-1256			
		THIRD ANGLE PROJECTION			
		ITEM TYPE:			

DWG. NO. FJ3149-06-1212S