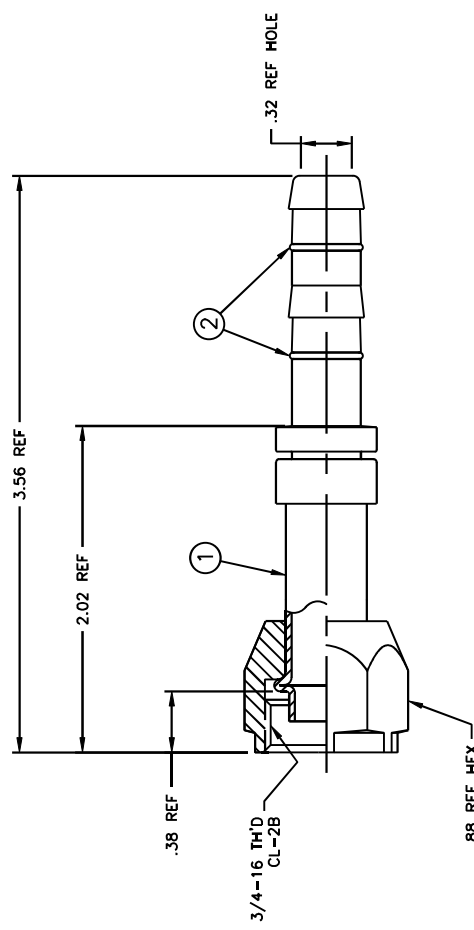


THE INFORMATION CONTAINED HEREIN IS UNCLASSIFIED EXCEPT WHERE SHOWN OTHERWISE. IT IS THE PROPERTY OF THE COMPANY AND IS TO BE KEPT CONFIDENTIAL. IT IS TO BE CONTAINED IN THE ORIGINAL FORM AND NOT REPRODUCED OR TRANSMITTED IN ANY FORM OR BY ANY MEANS, ELECTRONIC OR MECHANICAL, INCLUDING PHOTOCOPYING, RECORDING, OR BY ANY INFORMATION STORAGE AND RETRIEVAL SYSTEM.

REV	DESCRIPTION	DATE	APPROVED
A	INITIAL RELEASE OF SEISSIDES PRE-PRODUCTION DRAWING FJ5984-0808S REV "NONE" (1) ADDED "(2 REQUIRED)"	1999-08-12	EN-F19170 DP-1256

REV	DESCRIPTION	DATE	APPROVED
SM			

EN



EDM

GROUP PART NUMBER	FJ4984-0808S	FJ40106-08	1 F40106-08 O-RING
ITEM NO.	1	2	2
MATERIAL	STEEL	HNBR	

LIST OF MATERIALS

DRAWN	J. HARTFORD
CHECKED	J. BANNISEN
APPROVED	J. GRAU
RELEASE DATE	1999-08-25
EN-F19170	
DP-1256	
ITEM TYPE	DTZ

FLUID CONVEYANCE DIVISION

DRAWING TITLE: FITTING ASSEMBLY FEMALE O-RING PILOT (SHORT), GHT.34 HOSE

SIZE: A2 DRAWING NUMBER: FJ5984-0808S

SCALE: 2/1 CASE CODE: 01276 SHEET NO. *

1. PROCESS AS FOLLOWS:
(a) LUBRICATE O-RINGS, AND ASSEMBLE ON NIPPLE AS SHOWN.