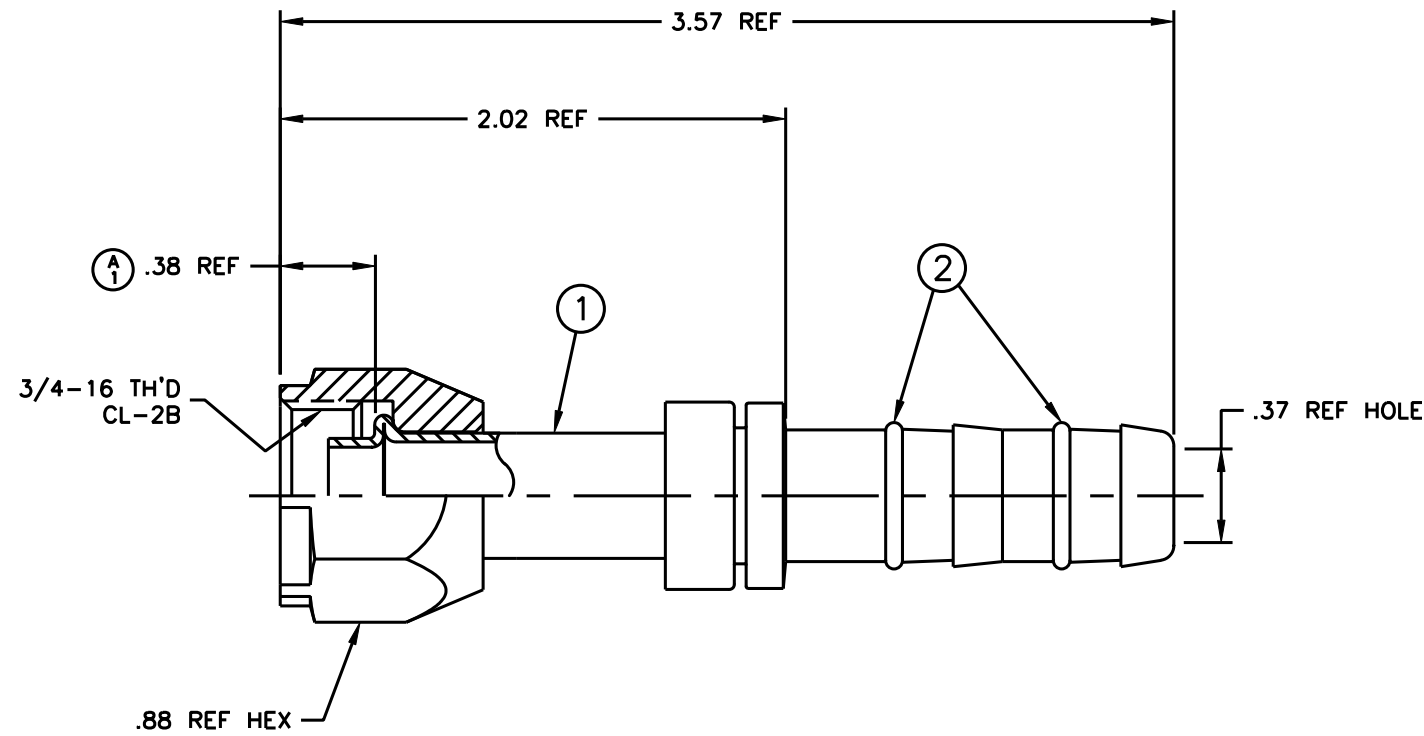


THE REPRODUCTION, DISTRIBUTION AND UTILIZATION OF THIS DOCUMENT, AS WELL AS THE COMMUNICATION OF ITS CONTENTS TO OTHERS WITHOUT EXPLICIT AUTHORIZATION IS PROHIBITED. OFFENDERS WILL BE HELD LIABLE FOR THE PAYMENT OF DAMAGES. ALL RIGHTS RESERVED IN THE EVENT OF THE GRANT OF A PATENT, UTILITY MODEL OR DESIGN. (PER ISO 15016)

REVISIONS			
REV	DESCRIPTION	DATE	APPROVED
A	(1) .38 REF WAS .38	1999-10-04 R.D.G.	EN-F19366 DP-24901



INCH

ITEM NO.	MATERIAL	QTY	DESCRIPTION
1	STEEL	1	NIPPLE ASSEMBLY
2	HNBR	2	O-RING (2 REQUIRED)

FJ5984-0810S	FJ4984-0810S	1F40106-10	
AEROQUIP PART NUMBER	① NIPPLE ASSEMBLY	② O-RING (2 REQUIRED)	

DRAWN M. HILVERS			
CHECKED J. BAHNSEN			
APPROVED J. BAHNSEN			
RELEASE DATE 1999-09-24			
EN-F19203 DP-5801			
THIRD ANGLE PROJECTION			
ITEM TYPE: D.T.S.A.			

FLUID CONVEYANCE DIVISION		
DRAWING TITLE: FITTING ASSEMBLY FEMALE O-RING PILOT (SHORT), GH134 HOSE		
SIZE A2	DRAWING NUMBER FJ5984-0810S	REV A
SCALE 2/1	DIST U	CAGE CODE 01276
SHEET NO		

1. PROCESS AS FOLLOWS:
LUBRICATE O-RINGS, AND ASSEMBLE ON NIPPLE AS SHOWN.

REV. A
 SH.
 FJ5984-0810S
 DWG. NO.