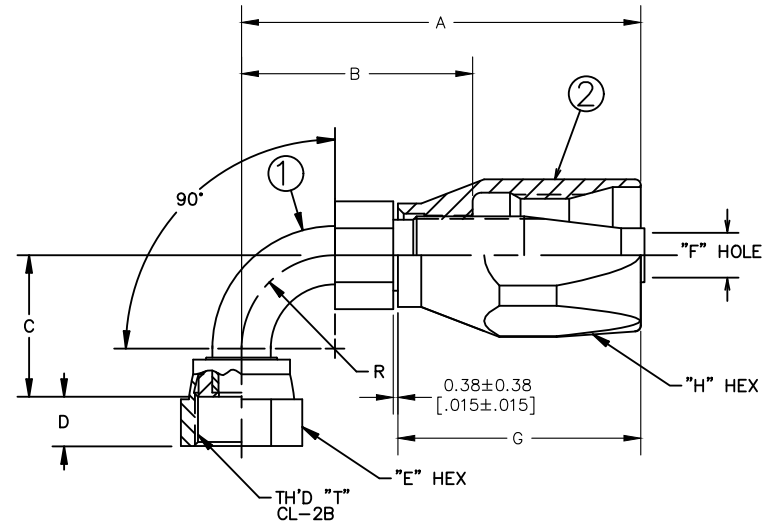


PART NUMBER	TH'D "T"	A REF	B REF	C REF	D REF	E REF (INCH)	F REF	R REF	G REF	H REF (INCH)
FJ9708-0404S	9/16-18	45.7 [1.80]	26.9 [1.06]	20.8 [.82]	8.1 [.32]	11/16	3.3 [.13]	11.2 [.44]	27.9 [1.10]	5/8
FJ9708-0405S	9/16-18	49.8 [1.96]	30 [1.18]	20.8 [.82]	8.1 [.32]	11/16	4.3 [.17]	11.2 [.44]	30.5 [1.20]	11/16
FJ9708-0606S	11/16-16	54.0 [2.13]	31 [1.22]	22.9 [.90]	9.7 [.38]	13/16	5.8 [.23]	12.7 [.50]	33 [1.30]	13/16
FJ9708-0808S	13/16-16	70.0 [2.76]	42.2 [1.60]	29.2 [1.15]	10.9 [.43]	15/16	9.1 [.36]	15.7 [.62]	41.9 [1.65]	15/16
FJ9708-1010S	1-14	77.1 [3.04]	44.2 [1.74]	32.3 [1.27]	13.5 [.53]	1 1/8	11.7 [.46]	19 [.75]	45.7 [1.80]	1 1/8
FJ9708-1212S	1 3/16-12	95.1 [3.75]	55.4 [2.18]	47.8 [1.88]	14.5 [.57]	1 3/8	14 [.55]	31.8 [1.25]	53.3 [2.10]	1 1/4
FJ9708-1612S	1 7/16-12	95.1 [3.75]	55.4 [2.18]	51.3 [2.02]	14.7 [.58]	1 5/8	14 [.55]	31.8 [1.25]	53.3 [2.10]	1 1/4
FJ9708-1616S	1 7/16-12	90.1 [3.55]	57.9 [2.28]	56.1 [2.21]	14.7 [.58]	1 5/8	20.8 [.82]	38.1 [1.50]	42.2 [1.66]	1 7/16
FJ9708-2020S	1 11/16-12	102.1 [4.02]	67.3 [2.65]	63.8 [2.51]	14.7 [.58]	1 7/8	26.7 [1.05]	44.4 [1.75]	44.5 [1.75]	1 3/4

REVISIONS			
REV.	DESCRIPTION	DATE	APPROVED
A	(1) ADDED NOTE #2 AND FLAGGED.	2007-07-23 RR	0007552-ECO DP-1299



METRIC

FJ9708-2020S	FJ8708-2020S	1212-20S	
FJ9708-1616S	FJ8708-1616S	1212-16S	
FJ9708-1612S	FJ9708-1612S	1210-12S	
FJ9708-1212S	FJ8708-1212S	1210-12S	
FJ9708-1010S	FJ8708-1010S	1210-10S	
FJ9708-0808S	FJ8708-0808S	1210-8S	
FJ9708-0606S	FJ8708-0606S	1210-6S	
FJ9708-0405S	FJ8708-0405S	1210-5S	
FJ9708-0404S	FJ8708-0404S	1210-4S	
PART NUMBER	(1) NIPPLE ASSEMBLY	(2) SOCKET	

LIST OF MATERIALS

ITEM NO.	MATERIAL	DRAWN B. LAMPLEY	CHECKED B. THOMAS	APPROVED R. GARRETT	RELEASE DATE 2002-05-08	F22821	DP-1178	THIRD ANGLE PROJECTION	SIZE A2	DRAWING NUMBER FJ9708-S	REV A	
1	STEEL											
2	STEEL											
DRAWING TITLE FLUID CONVEYANCE DIVISION FITTING ASSEMBLY 90°, ORS FEMALE SWIVEL SHORT DROP 1503 HOSE												
SCALE: NONE										DIST: U	CAGE CODE: 01276	SHEET: 1 OF 2

2. ITEM #1 CAN BE REPLACED BY COMPONENTS AND PROCESSING AS SPECIFIED ON THE FJ8708-S DRAWING. (A)

1. DIMENSIONS ARE IN MILLIMETERS [INCHES].

THE REPRODUCTION, DISTRIBUTION AND UTILIZATION OF THIS DOCUMENT AS WELL AS THE COMMUNICATION OF ITS CONTENTS TO OTHERS WITHOUT EXPLICIT AUTHORIZATION IS PROHIBITED. OFFENDERS WILL BE HELD LIABLE FOR THE PAYMENT OF DAMAGES. ALL RIGHT RESERVED IN THE EVENT OF THE GRANT OF A PATENT, UTILITY MODEL OR DESIGN. (PER ISO 18016)

REV. A
SH. 1
FJ9708-S
DWG. NO.