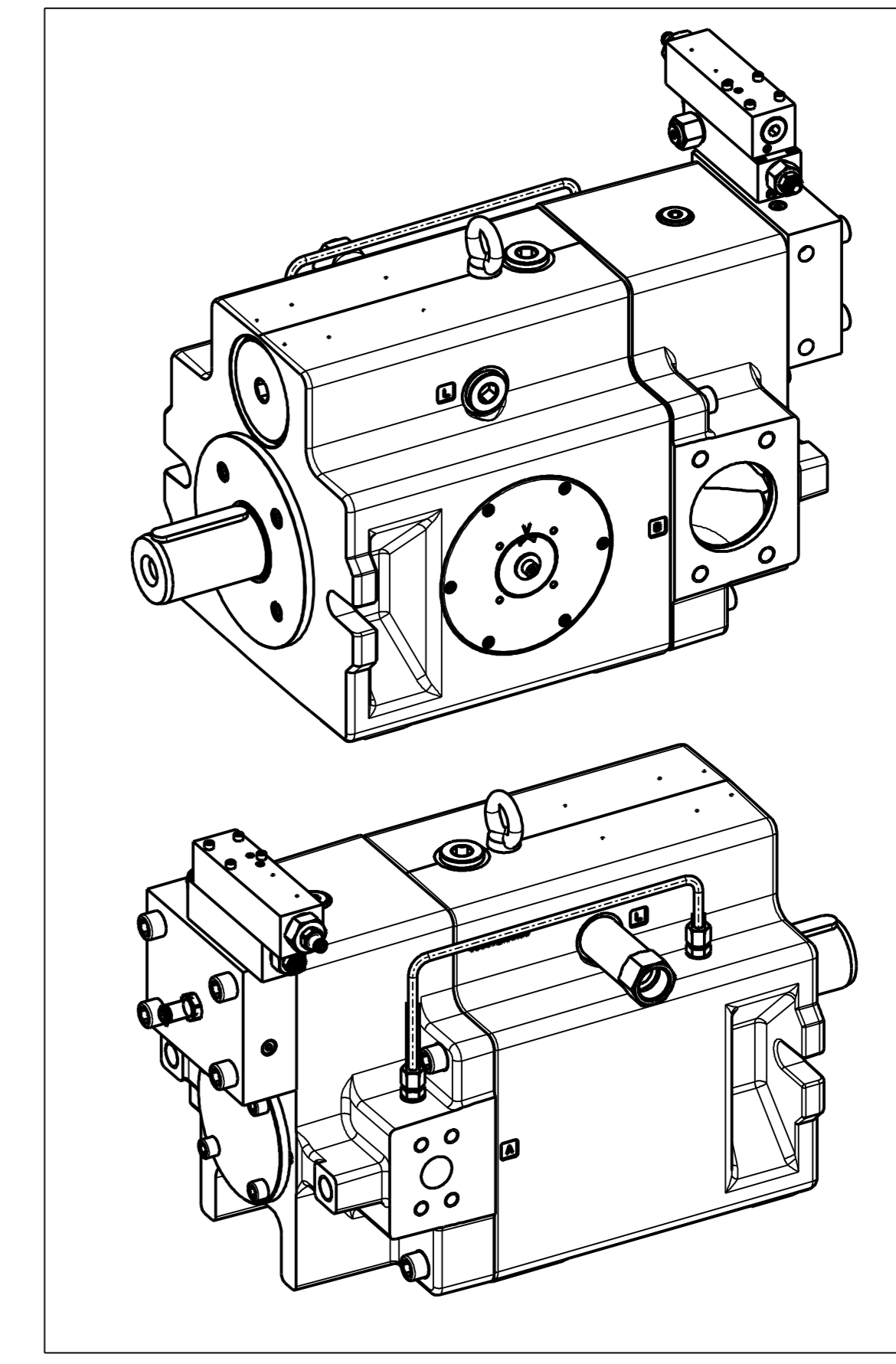
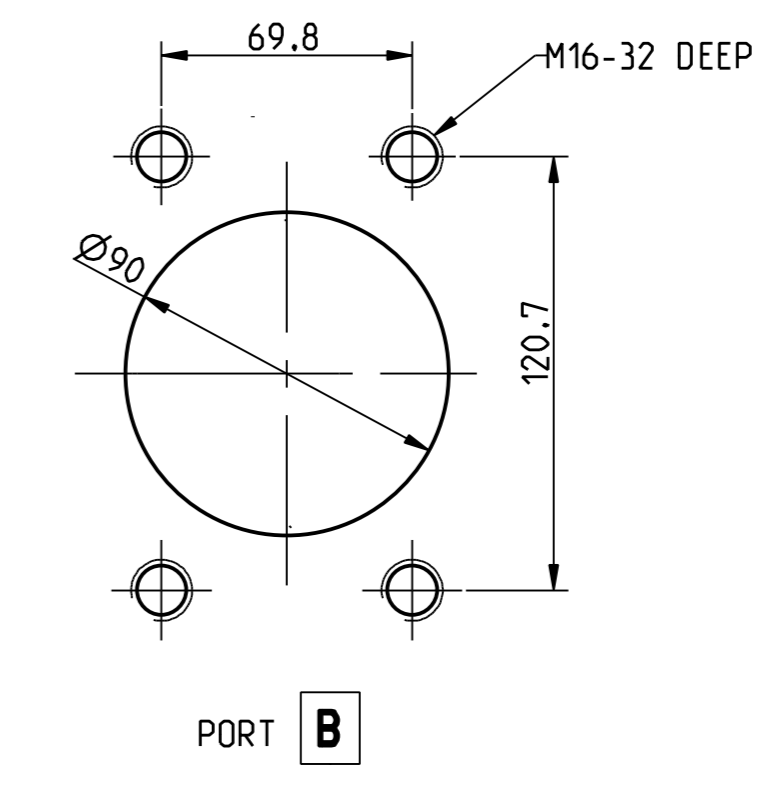
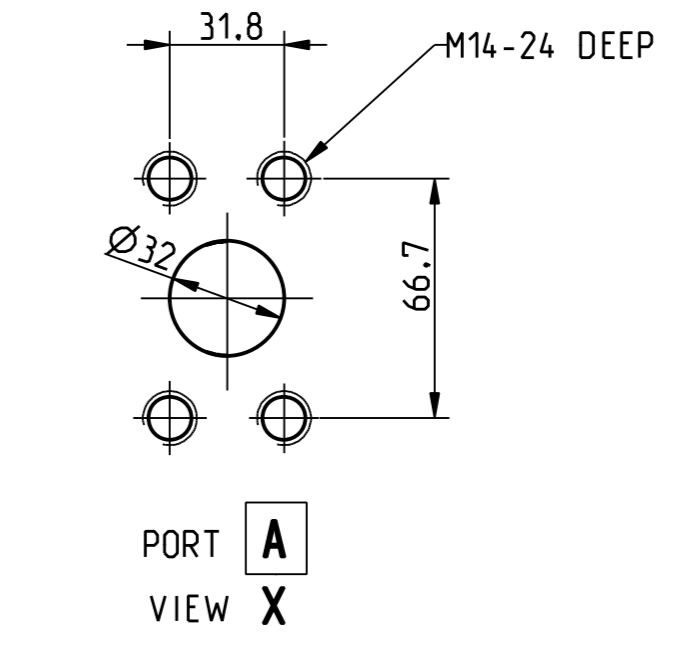
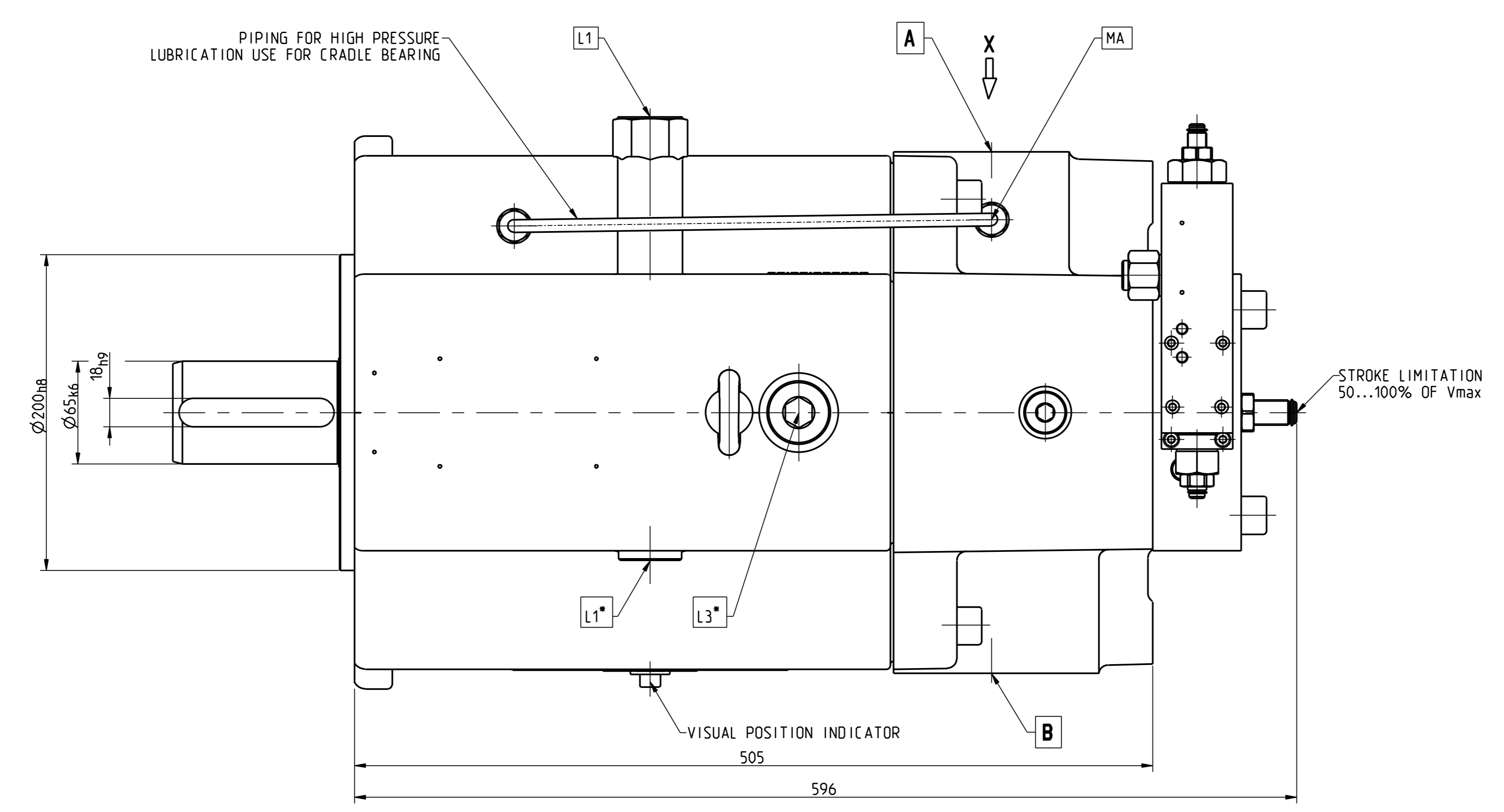
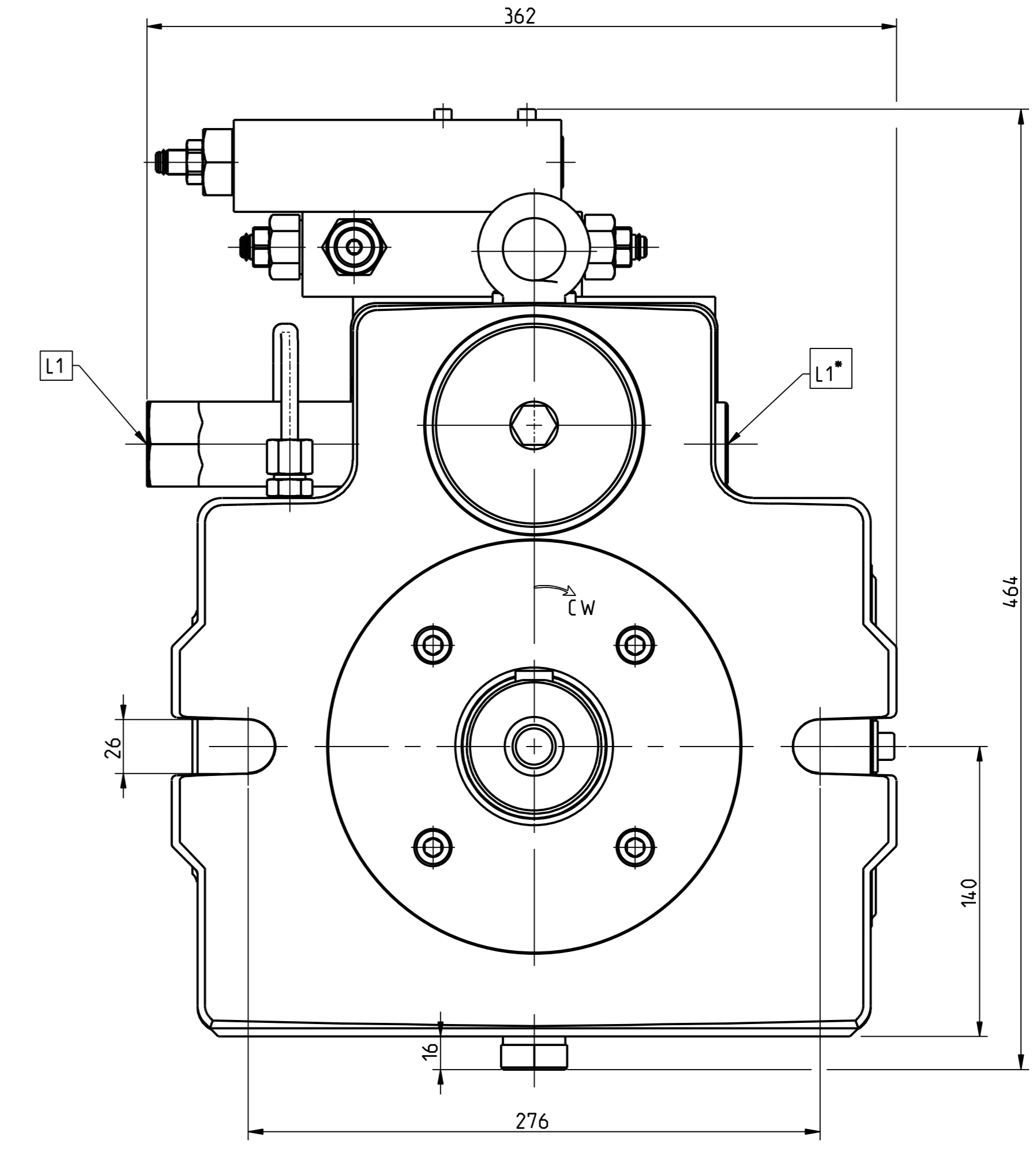
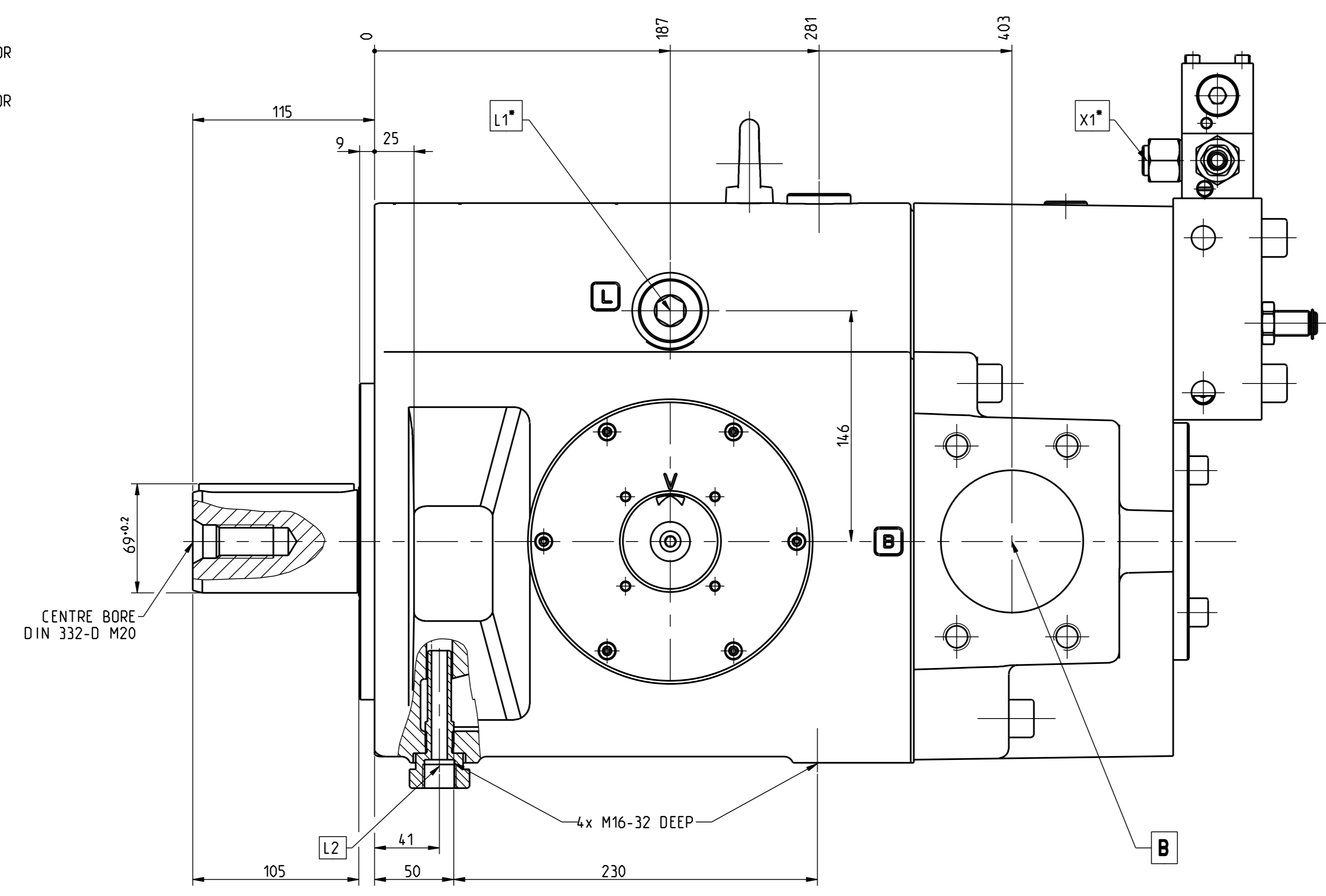
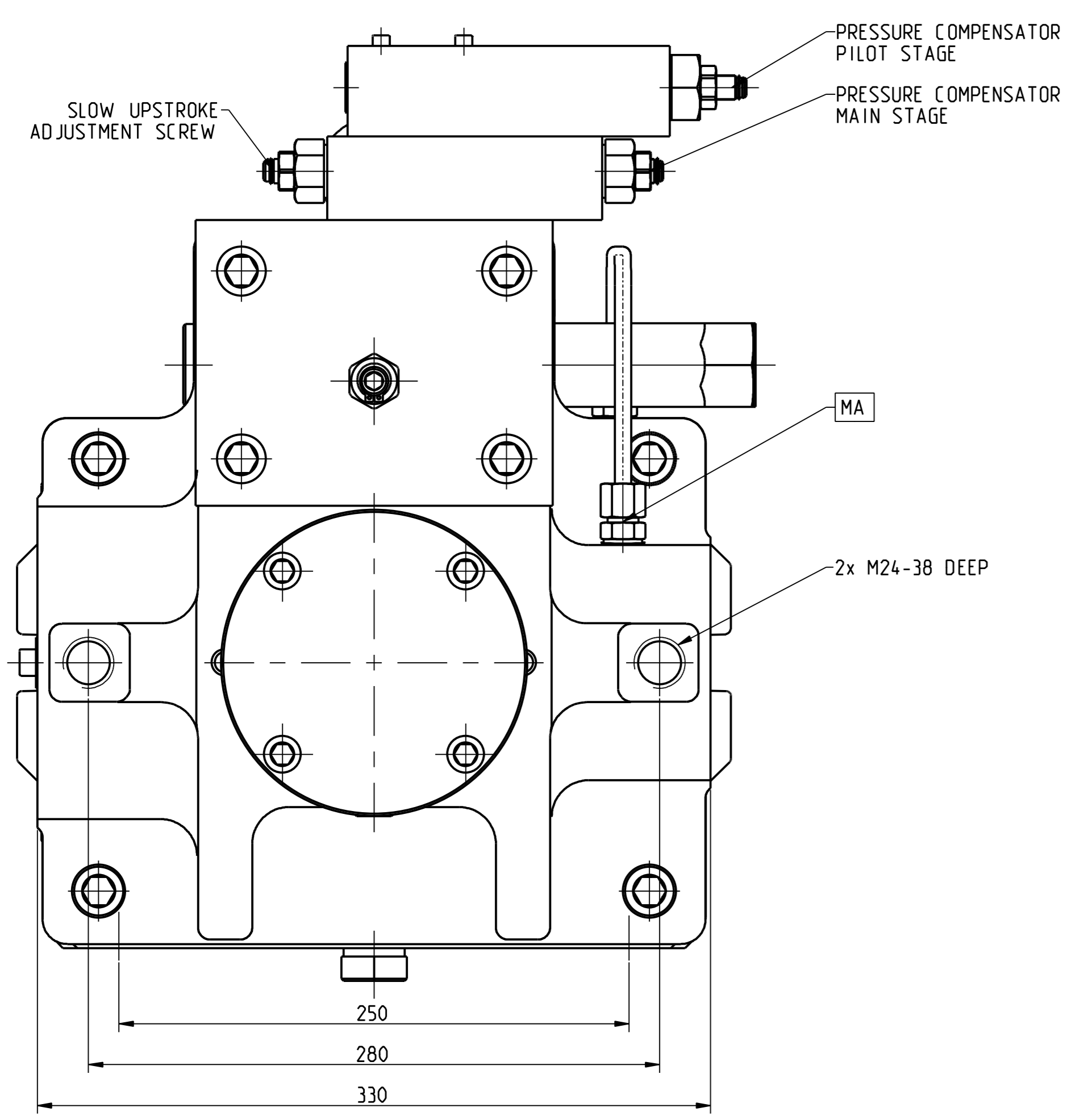


CAE DRAWING *** DO NOT CHANGE ORIGINAL				
REVISIONS				
ZONE	LTR	DESCRIPTION	DATE	APPROVED
A		ENGINEERING RELEASE	11Oct11	I.Hangad
B		HC-2014-163-00-ECO: MODEL CODE CHANGED: 'L' WAS 'C' AND 'AOS' WAS 'A00'	27Aug14	J.Vollberg



- A SYSTEM PRESSURE PORT SAE 1 1/4" - 6000 PSI
- B INLET PORT SAE 3 1/2" - 500 PSI
- L1 DRAIN PORT M33x2, ONE SUPPLIED PLUG
- L2 FRONT BEARING FLUSHING PORT G 1/2"-14.5 DEEP
- L3 OIL FILLING G 1 5/16"-12 UNF OR BLEED PLUG
- MA GAUGE PORT SYSTEM PRESSURE G 1/4" (USE FOR HIGH PRESSURE LUBRICATION)
- X1 REMOTE PORT PRESSURE COMPENSATOR, G 1/4"-12.5 DEEP
- ... CONNECTION WITH PLUG

DIRECTION OF ROTATION	CONTROL	INPUT	OUTPUT
RIGHT HAND ROTATION	TO +V _{MAX}	B	A

THE REPRODUCTION, DISTRIBUTION, AND UTILIZATION OF THIS DOCUMENT, AS WELL AS THE COMMUNICATION OF ITS CONTENTS TO OTHERS WITHOUT EXPLICIT AUTHORIZATION IS PROHIBITED. OFFENDERS WILL BE HELD LIABLE FOR THE PAYMENT OF DAMAGES. ALL RIGHTS RESERVED IN THE EVENT OF THE GRANT OF A PATENT, UTILITY MODEL, OR DESIGN. (PER ISO 16016)

PVXS-250M06R0001R01SLVDF00A0S0000000032200010		REV: HC
PROJ: MP583220/MP593340/HC 806072036520	DESIGNER: R.Kundu	DATE: 11Oct11
DRAWN: I.Hangad	DATE: 11Oct11	APPROVED: I.Hangad
INSTALLATION OF PVXS-250... WITH DF000A0S...-CONTROL		
SHEET: A0	DRAWING NO: HC056072036520	REVISED: B
SCALE: 1:2	WEIGHT:	SHEET: 1 OF 1

69181111 - Pns Engineer
 HC 806072036520
 HC 056072036520